



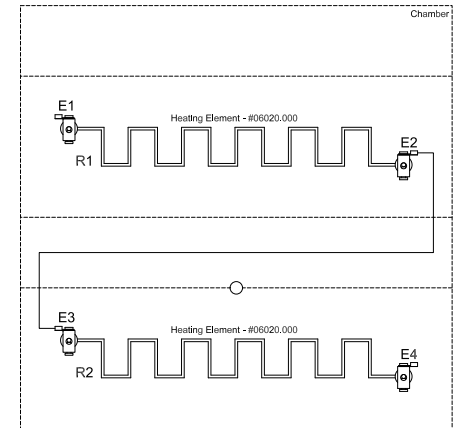
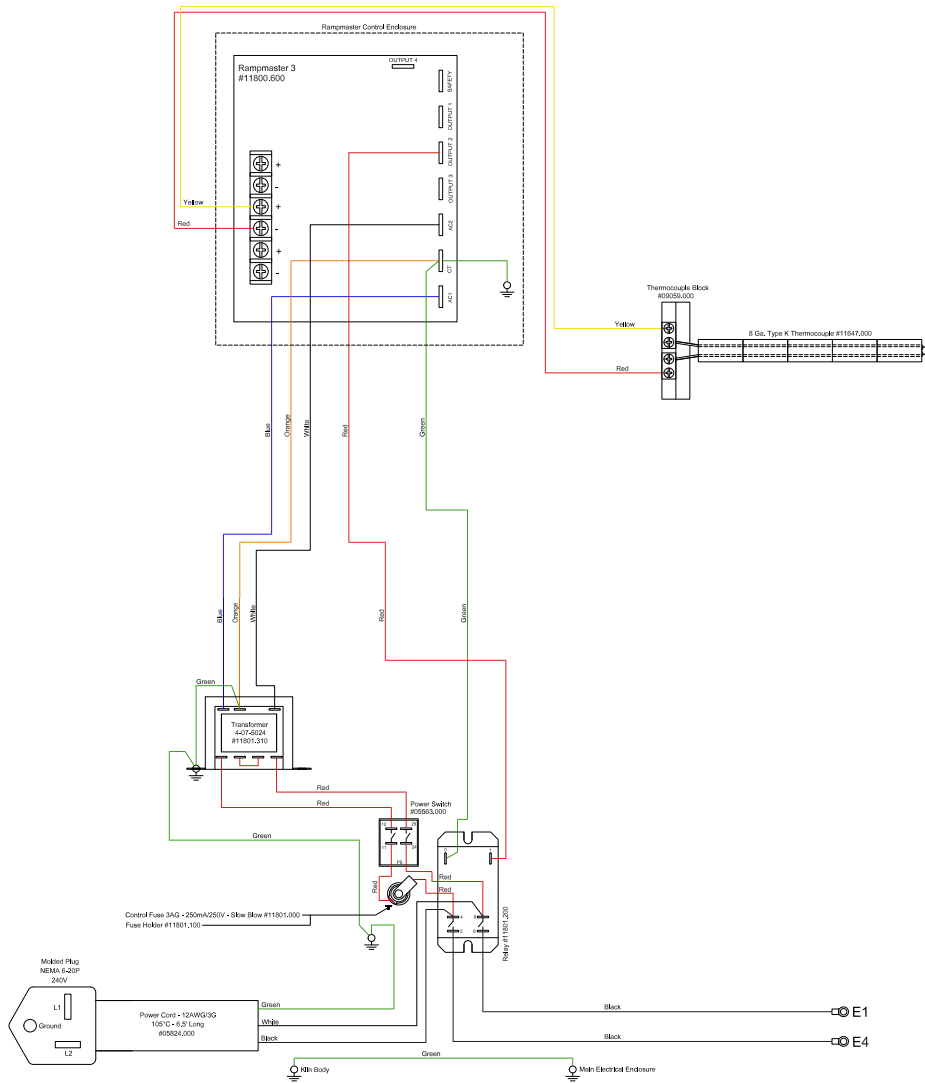
DATE:
08/18/14
06/15/16

www.evenheat-kiln.com

Evenheat Kiln, Inc. Phone 989-856-2281
 PO Box 399 Fax 989-856-4040
 Caseville, MI 48725

Model: HF 1210B STP SS 240V

Panel: 04-16	
240V	13A 3120W 1Ph. DOC #: HF1210BSTPSS240V



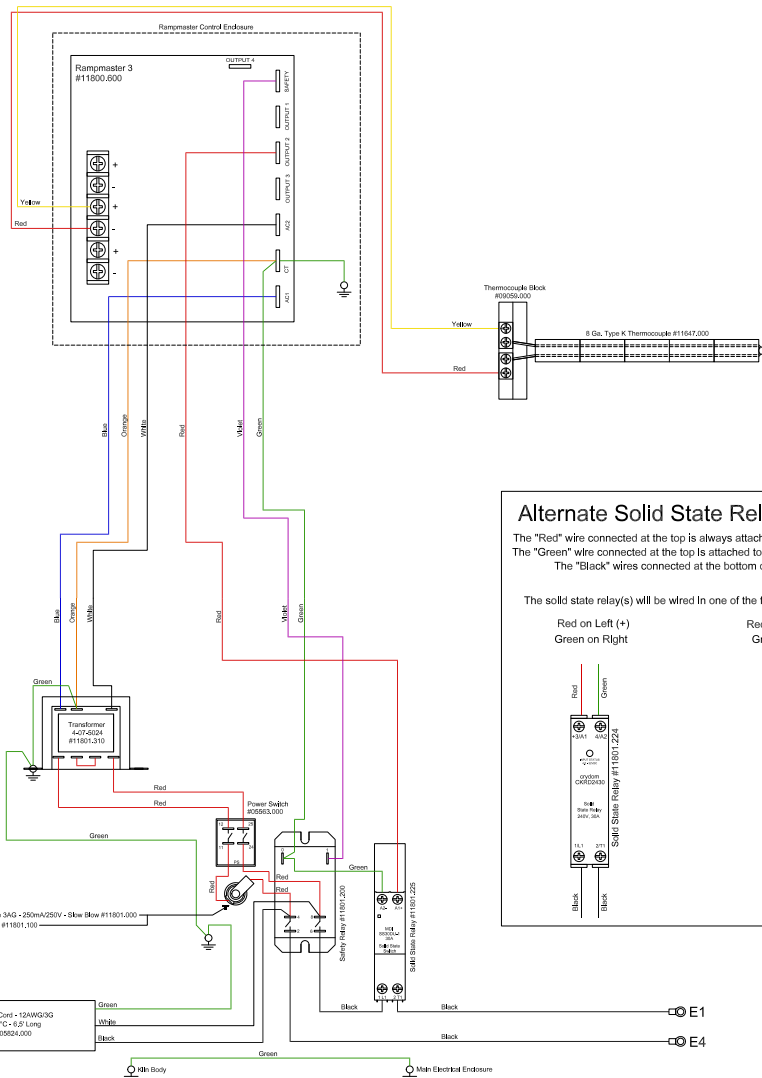
evenheat
www.evenheat-kiln.com

DATE:
08/18/14
06/15/16

Evenheat Kiln, Inc. Phone 989-856-2281
PO Box 399 Caseville, MI 48725 Fax 989-856-4040

Model: HF 1210B RM II 240V

Panel: 04-16	
240V	13A 3120W 1Ph. DOC #: HF1210BRMII240V



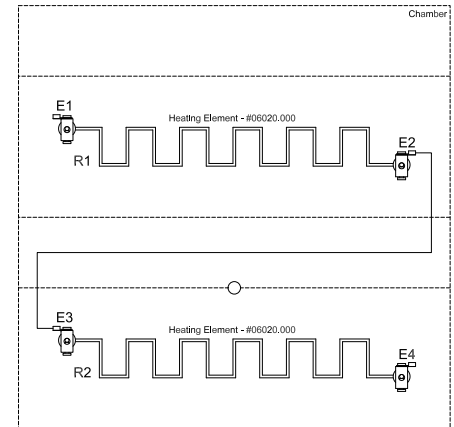
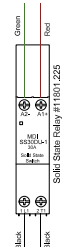
Alternate Solid State Relay Wiring

The "Red" wire connected at the top is always attached to the "+" terminal
 The "Green" wire connected at the top is attached to the opposite terminal
 The "Black" wires connected at the bottom do not change

The solid state relay(s) will be wired in one of the following two ways

Red on Left (+)
 Green on Right

Red on Right (+)
 Green on Left



evenheat
 www.evenheat-kiln.com

DATE:

08/18/14

06/15/16

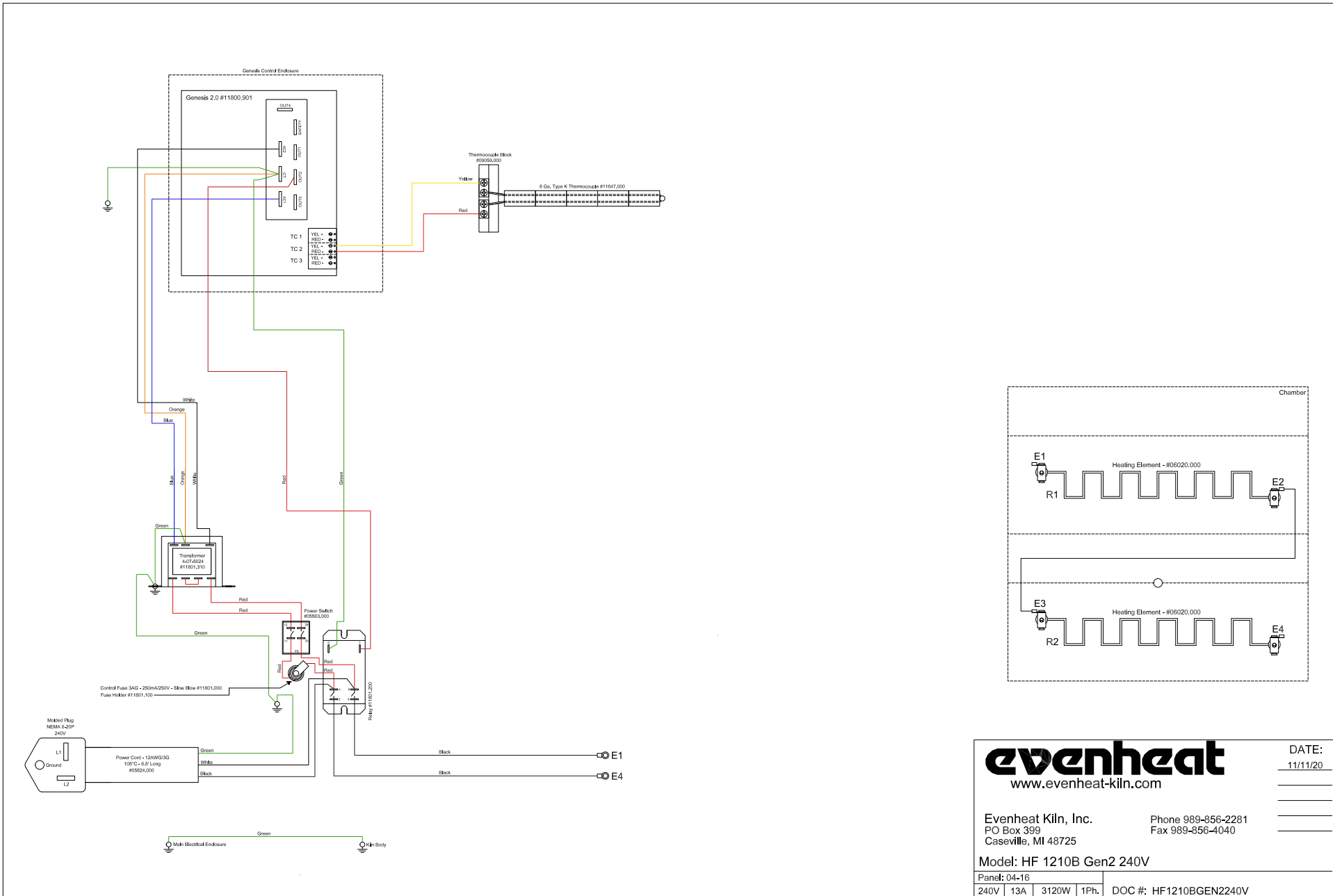
Evenheat Kiln, Inc. Phone 989-856-2281
 PO Box 399 Fax 989-856-4040
 Caseville, MI 48725

Model: HF 1210B RM II SS 240V

Panel: 04-16

240V 13A 3120W 1Ph.

DOC #: HF1210BRMISS240V



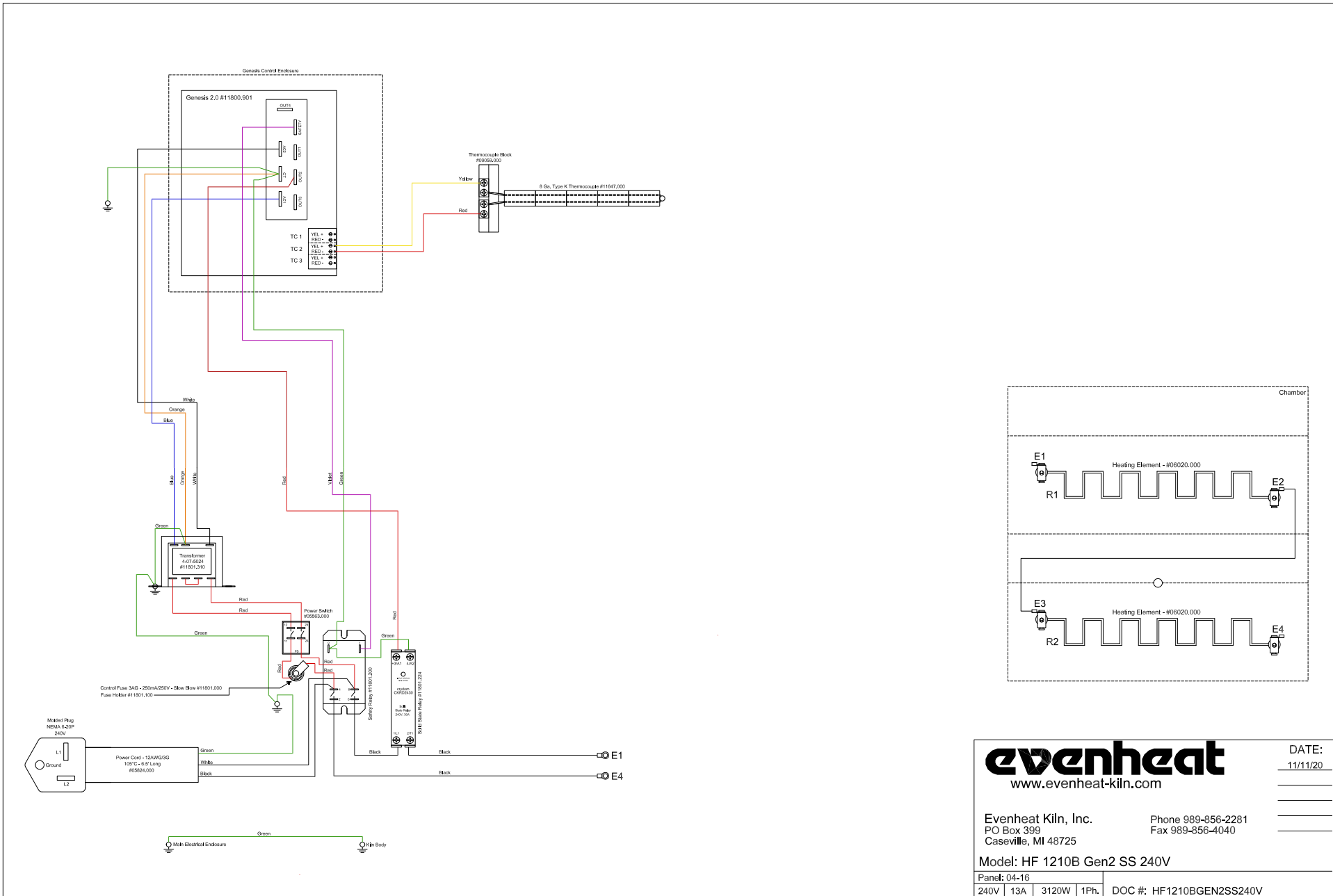
evenheat
www.evenheat-kiln.com

DATE:
11/11/20

Evenheat Kiln, Inc. Phone 989-856-2281
PO Box 399 Fax 989-856-4040
Caseville, MI 48725

Model: HF 1210B Gen2 240V

Panel: 04-16	
240V	13A 3120W 1Ph. DOC #: HF1210BGEN2240V



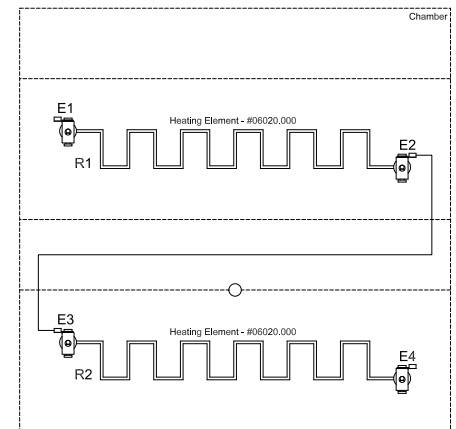
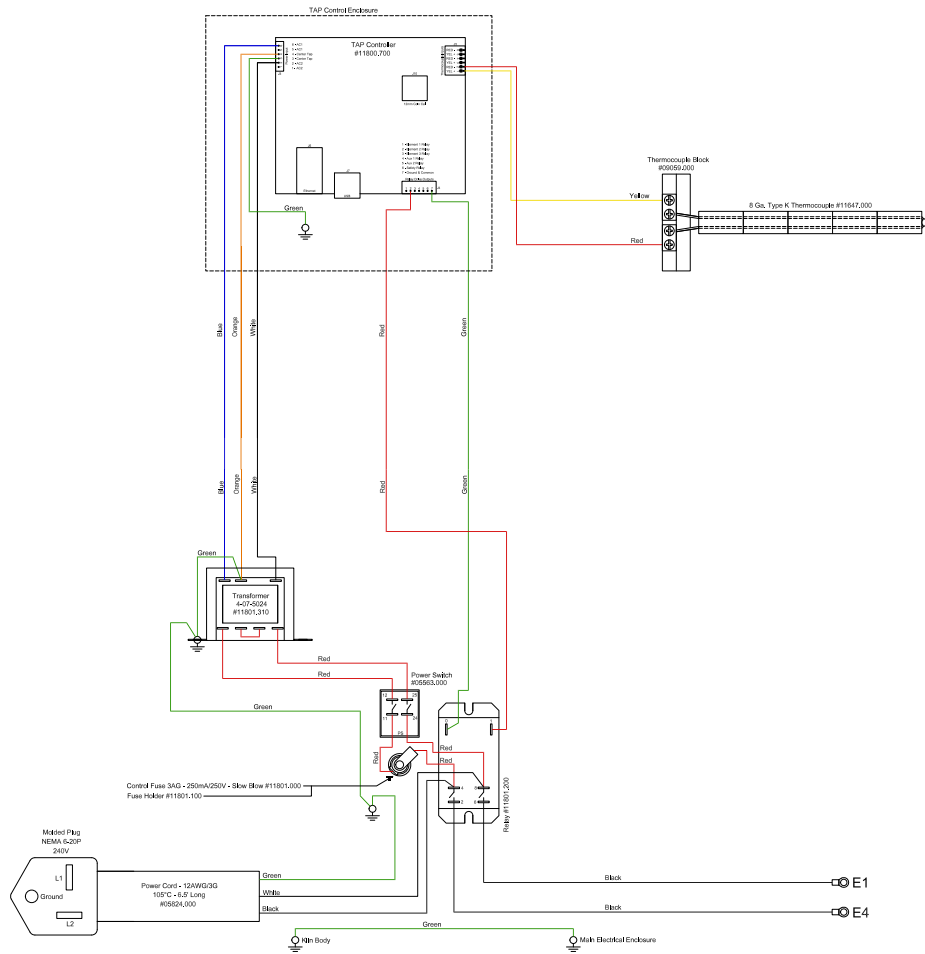
evenheat
www.evenheat-kiln.com

DATE: 11/11/20

Evenheat Kiln, Inc. Phone 989-856-2281
PO Box 399 Fax 989-856-4040
Caseville, MI 48725

Model: HF 1210B Gen2 SS 240V

Panel: 04-16	
240V 13A 3120W 1Ph.	DOC #: HF1210BGEN2SS240V



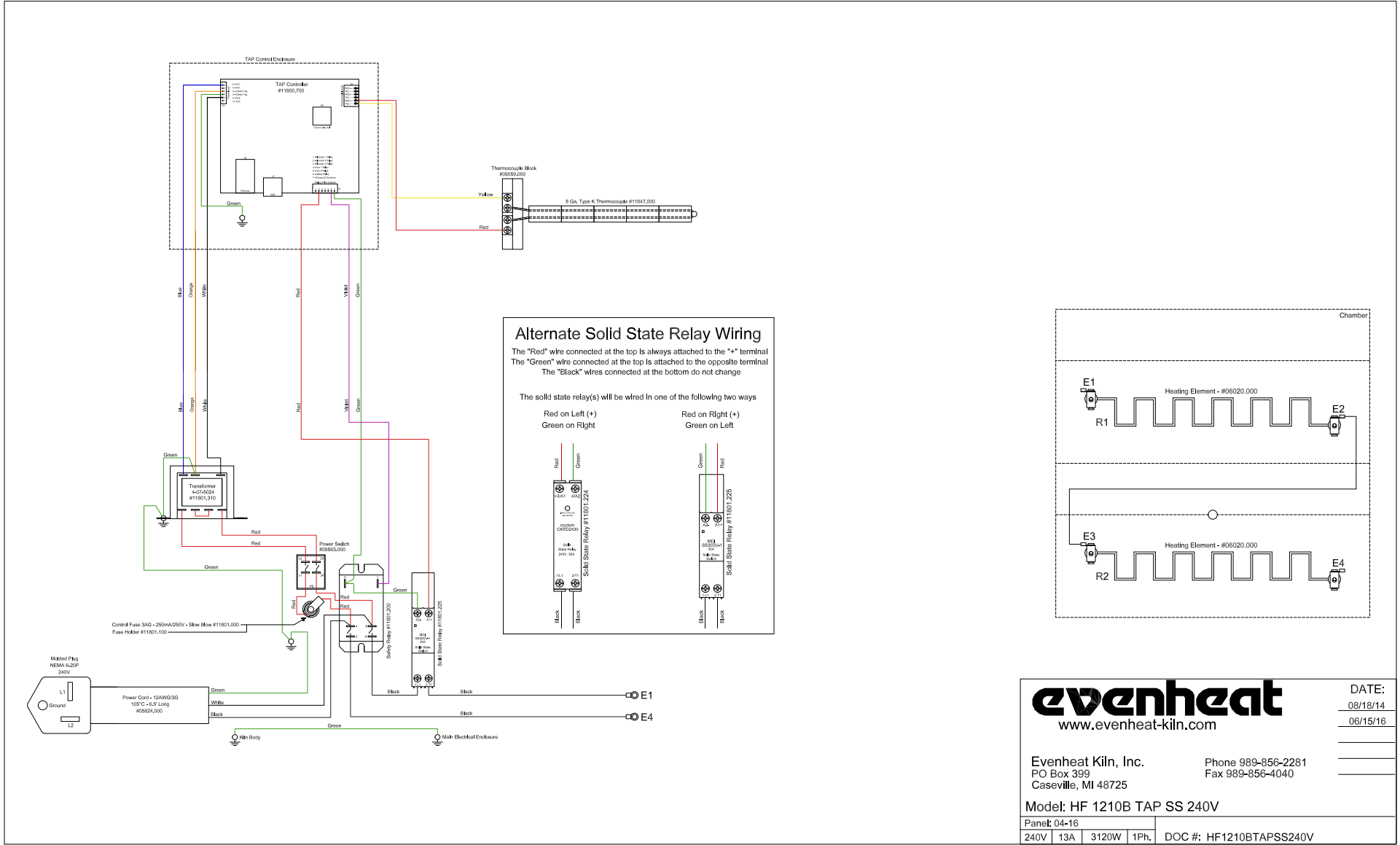
evenheat
www.evenheat-kiln.com

DATE:
08/18/14
06/15/16

Evenheat Kiln, Inc. Phone 989-856-2281
PO Box 399 Fax 989-856-4040
Caseville, MI 48725

Model: HF 1210B TAP 240V

Panel: 04-16	
240V	13A 3120W 1Ph. DOC #: HF1210BTAP240V



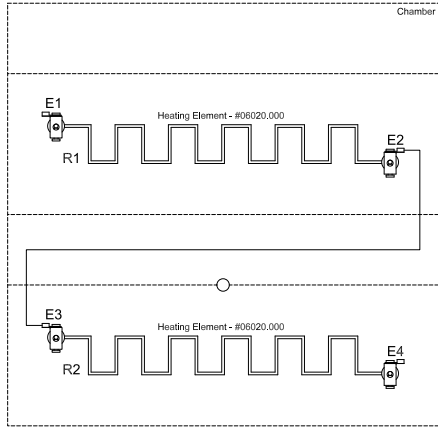
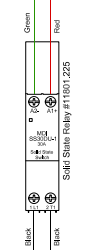
Alternate Solid State Relay Wiring

The "Red" wire connected at the top is always attached to the "+" terminal
 The "Green" wire connected at the top is attached to the opposite terminal
 The "Black" wires connected at the bottom do not change

The solid state relay(s) will be wired in one of the following two ways

Red on Left (+)
 Green on Right

Red on Right (+)
 Green on Left



evenheat
 www.evenheat-kiln.com

DATE:
 08/18/14
 06/15/16

Evenheat Kiln, Inc. Phone 989-856-2281
 PO Box 399 Fax 989-856-4040
 Caseville, MI 48725

Model: HF 1210B TAP SS 240V

Panel: 04-16	
240V	13A 3120W 1Ph. DOC #: HF1210BTAPSS240V