

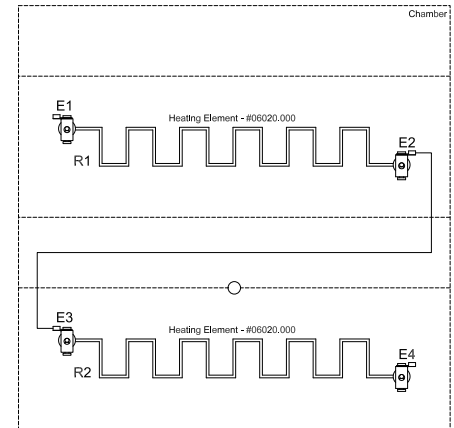
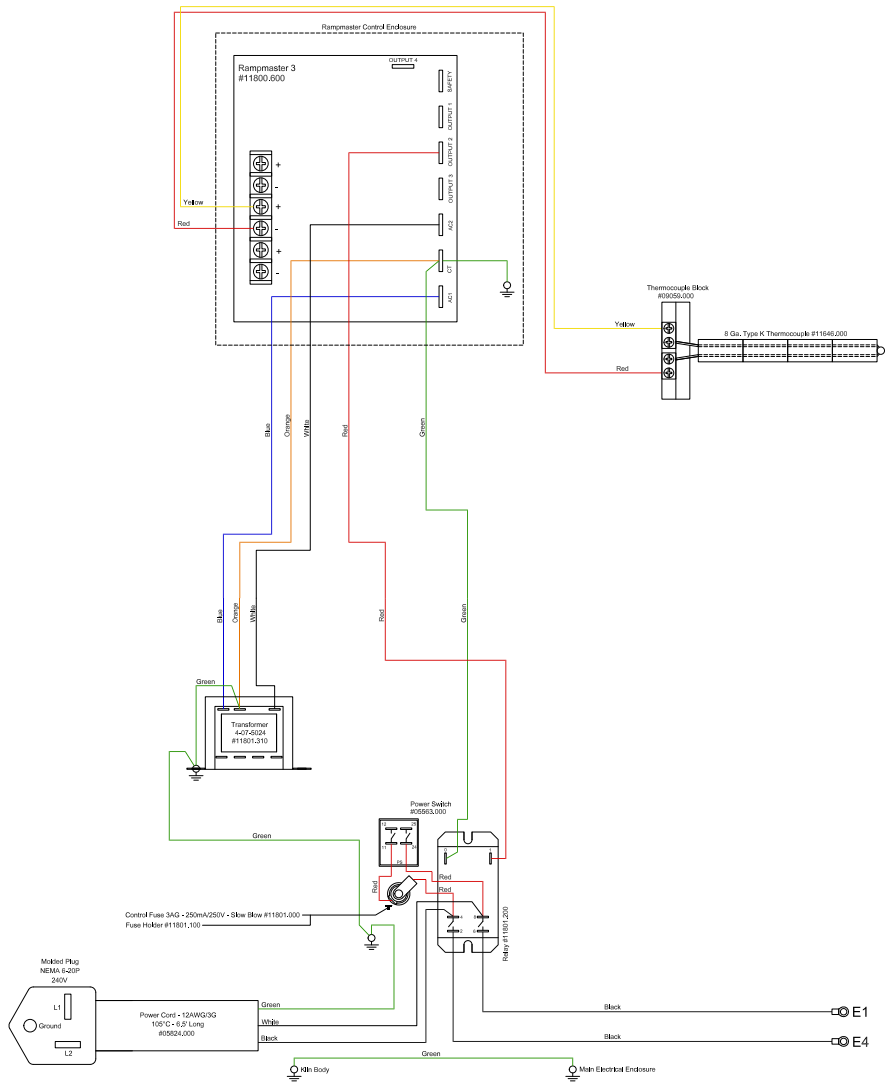
evenheat
 www.evenheat-kiln.com

DATE: 08/18/14
 06/16/16

Evenheat Kiln, Inc. Phone 989-856-2281
 PO Box 399 Fax 989-856-4040
 Caseville, MI 48725

Model: RM II 1210B STP SS 240V

Panel: 04-16			
240V	13A	3120W	1Ph.
DOC #: STP1210BSS240V			



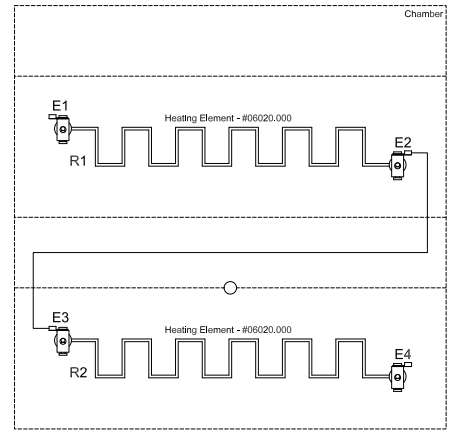
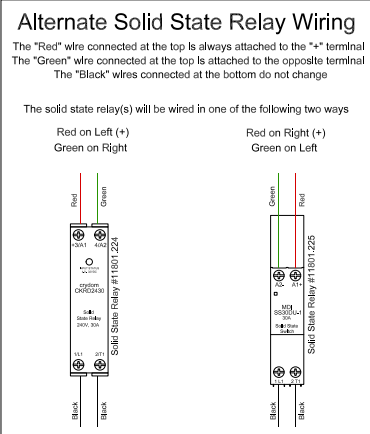
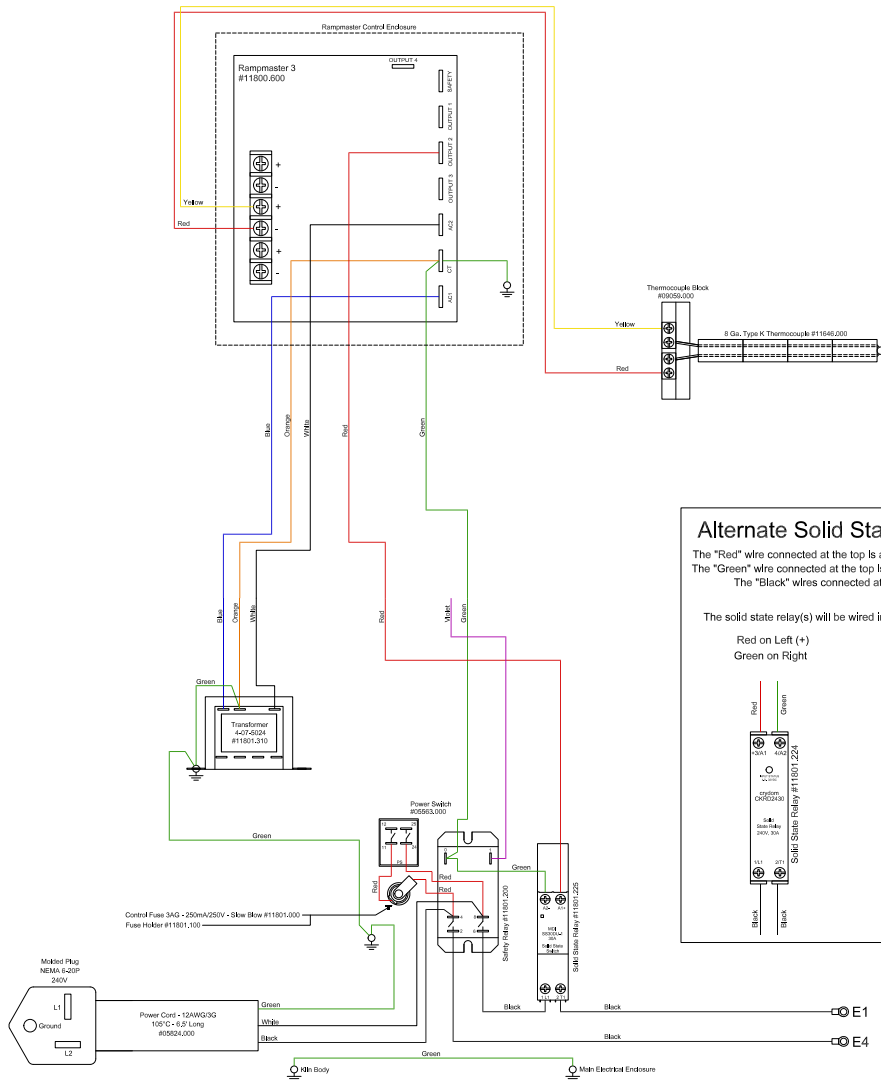
evenheat
www.evenheat-kiln.com

DATE:
08/18/14
06/16/16

Evenheat Kiln, Inc. Phone 989-856-2281
PO Box 399 Caseville, MI 48725 Fax 989-856-4040

Model: RM II 1210B 240V

Panel: 04-16
240V | 13A | 3120W | 1Ph. | DOC #: RMI1210B240V



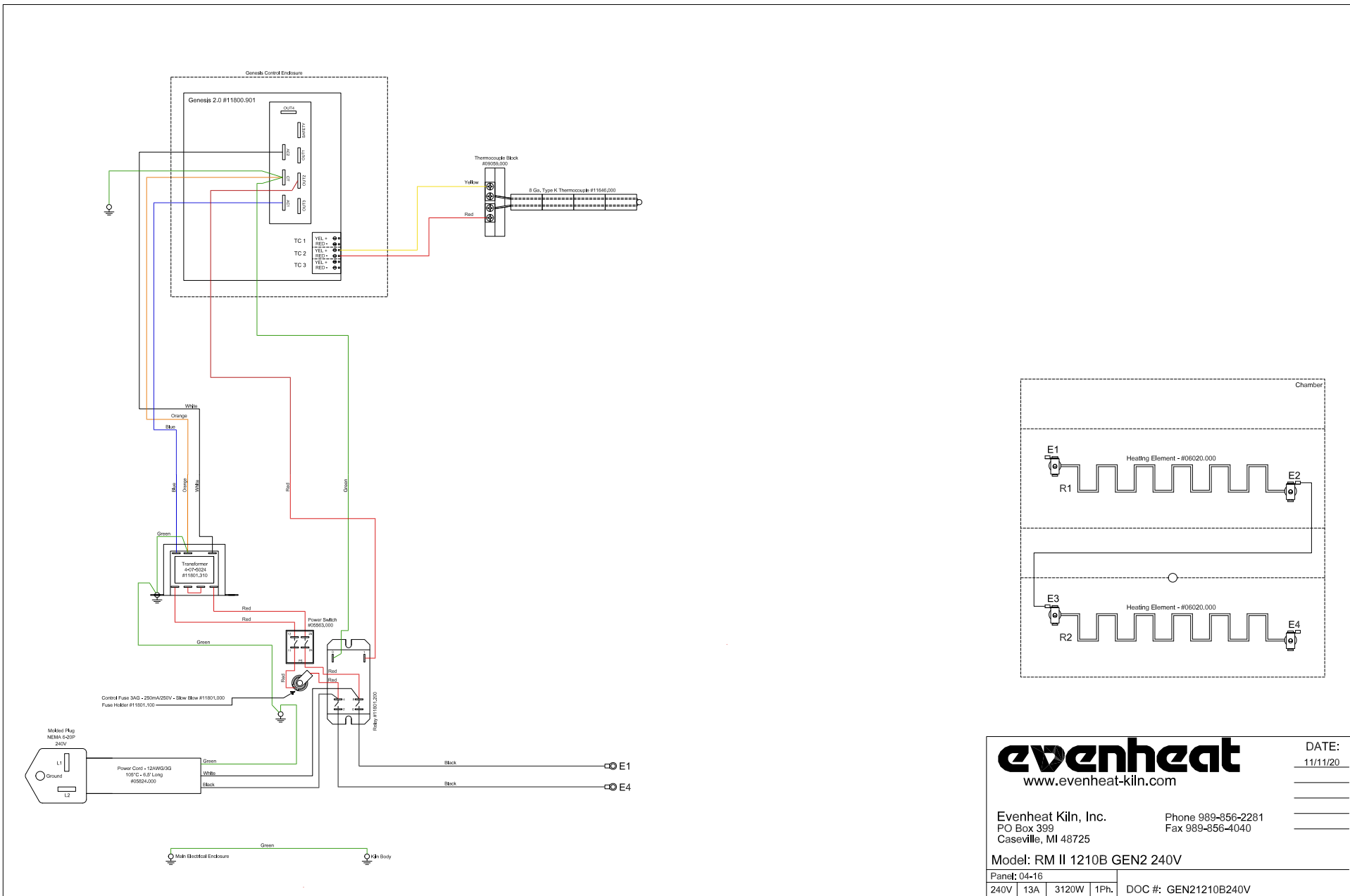
evenheat
 www.evenheat-kiln.com

DATE: 08/18/14
 06/16/16

Evenheat Kiln, Inc. Phone 989-856-2281
 PO Box 399 Fax 989-856-4040
 Caseville, MI 48725

Model: RM II 1210B SS 240V

Panel: 04-16	
240V	13A 3120W 1Ph. DOC #: RMII1210BSS240V

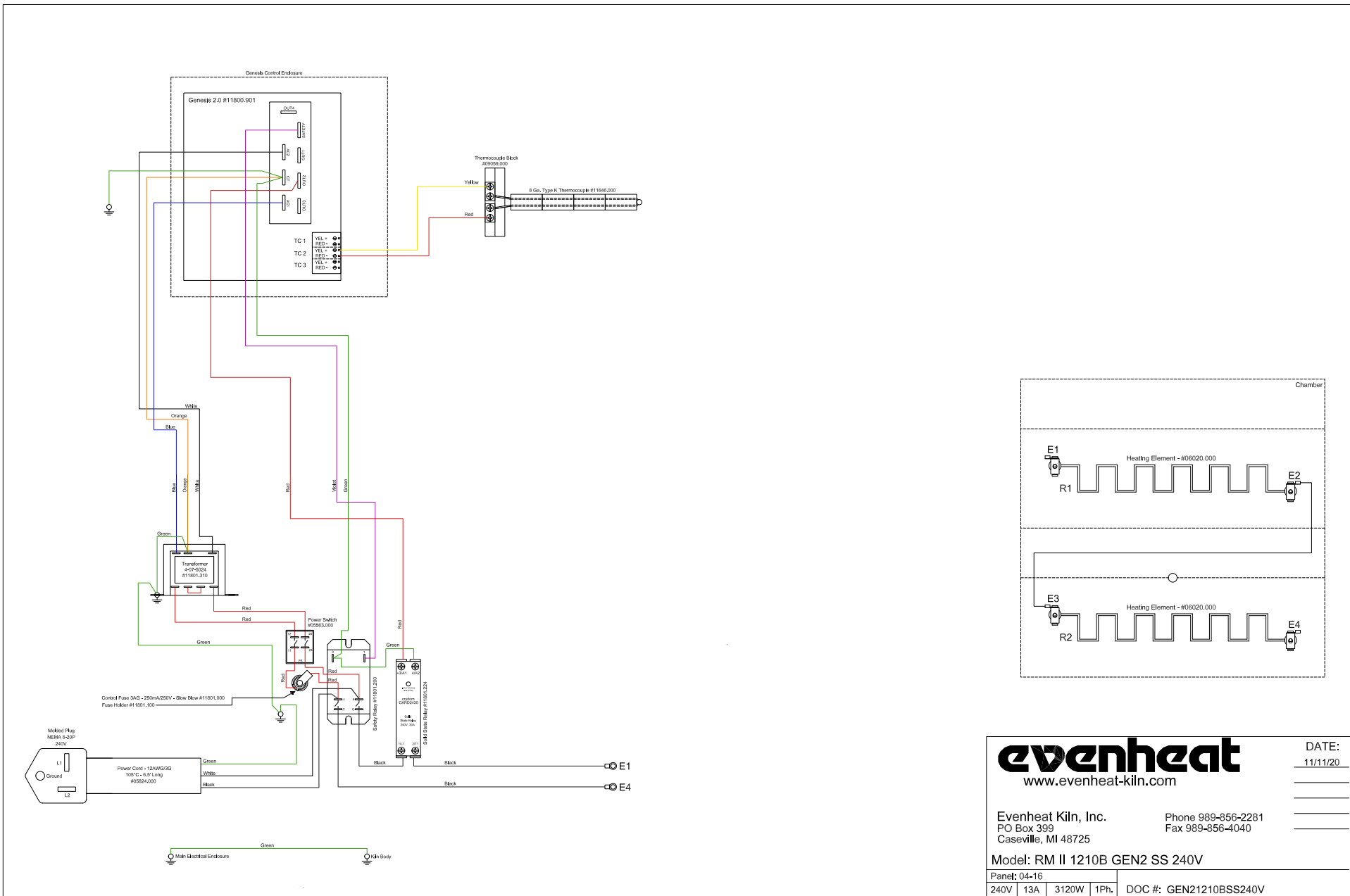


evenheat DATE: 11/11/20
www.evenheat-kiln.com

Evenheat Kiln, Inc. Phone 989-856-2281
 PO Box 399 Fax 989-856-4040
 Caseville, MI 48725

Model: RM II 1210B GEN2 240V

Panel: 04-16	
240V	13A 3120W 1Ph. DOC #: GEN21210B240V

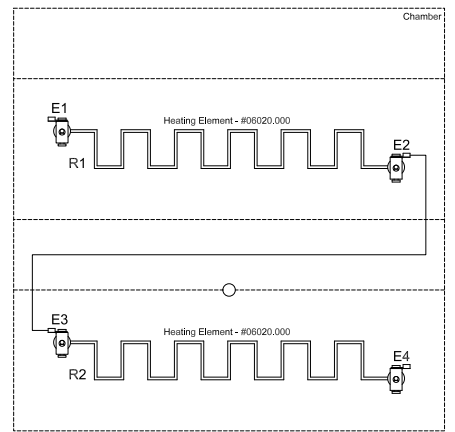
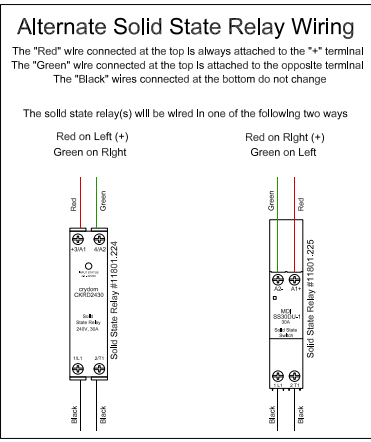
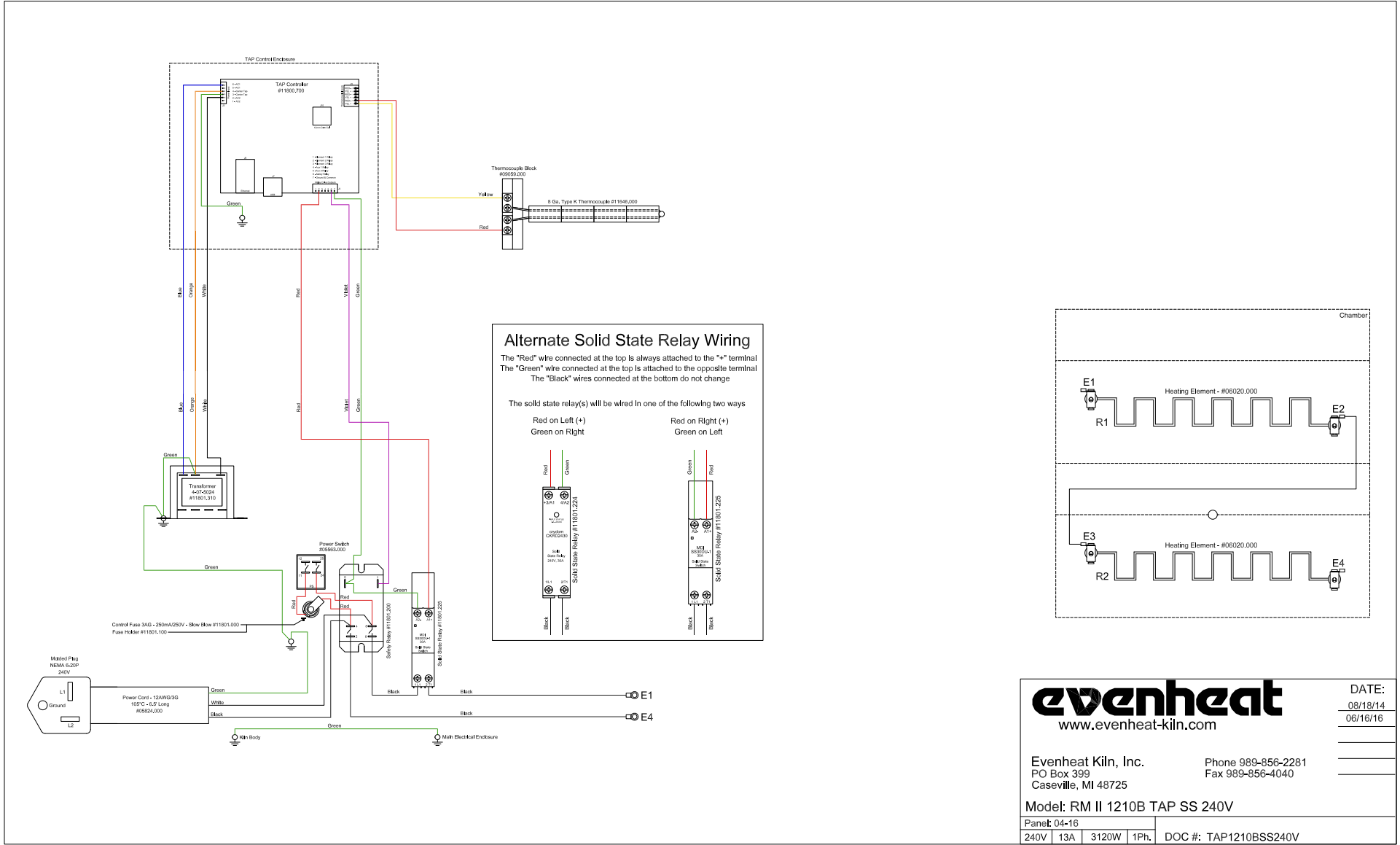


evenheat DATE: 11/11/20
www.evenheat-kiln.com

Evenheat Kiln, Inc. Phone 989-856-2281
 PO Box 399 Fax 989-856-4040
 Caseville, MI 48725

Model: RM II 1210B GEN2 SS 240V

Panel: 04-16	
240V	13A 3120W 1Ph. DOC #: GEN21210BSS240V





DATE:
08/18/14
06/16/16

www.evenheat-kiln.com

Evenheat Kiln, Inc. Phone 989-856-2281
 PO Box 399 Fax 989-856-4040
 Caseville, MI 48725

Model: RM II 1210B TAP SS 240V

Panel: 04-16			
240V	13A	3120W	1Ph.
		DOC #: TAP1210BSS240V	