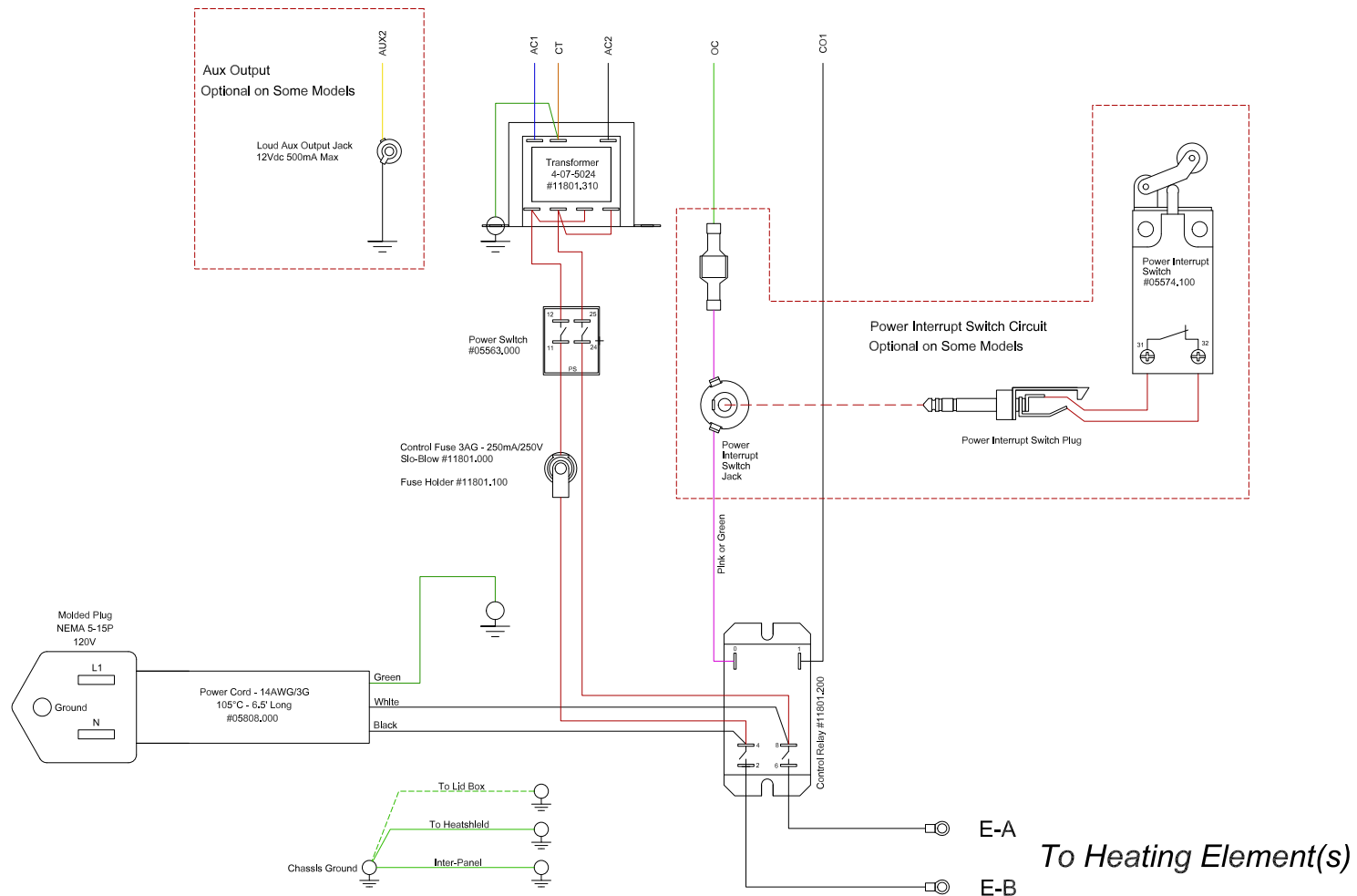


# ECP-MR1/C1-0111-000

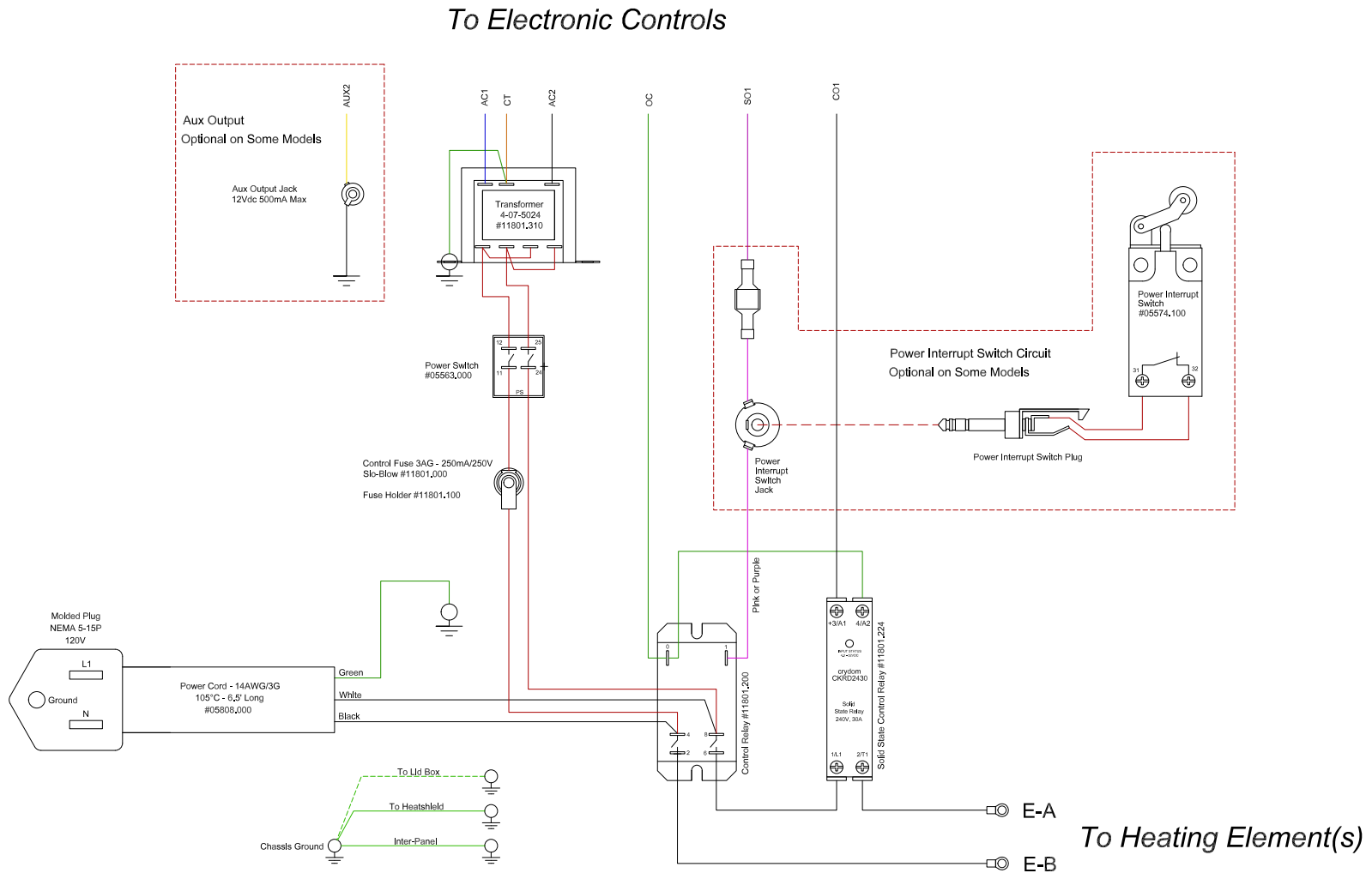
## Driver: Mechanical Relay LT, Cube 7, KH 414 & KH 418

To Electronic Controls



# ECP-SS1/C1-0111-000

Driver: Solid State Relay  
LT, Cube 7, KH 414 & KH 418

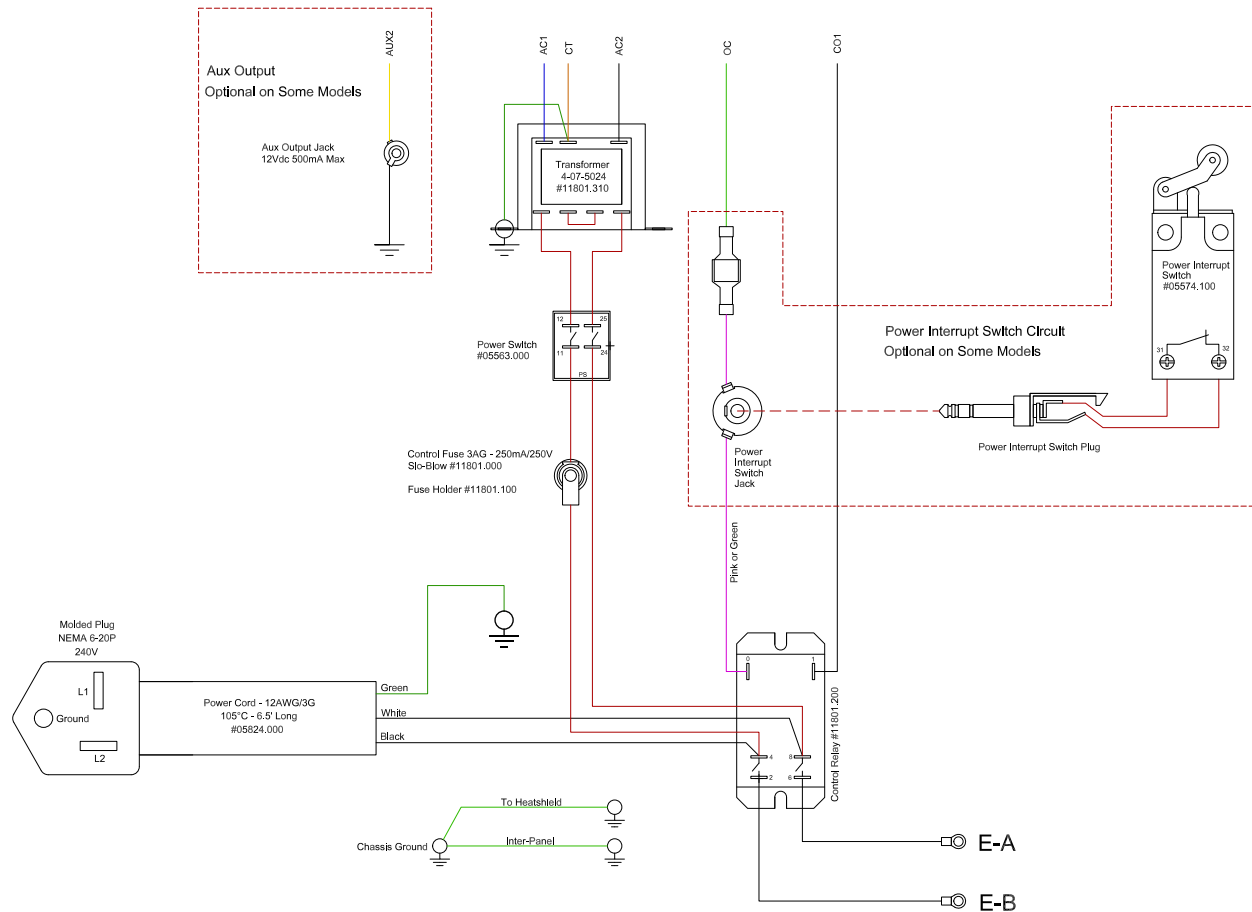


# ECP-MR1/A1-2111-000

Driver: Mechanical Relay

LB 18, LB 22.5, LB 27, KO 18, KO 22.5, KO 27

*To Electronic Controls*



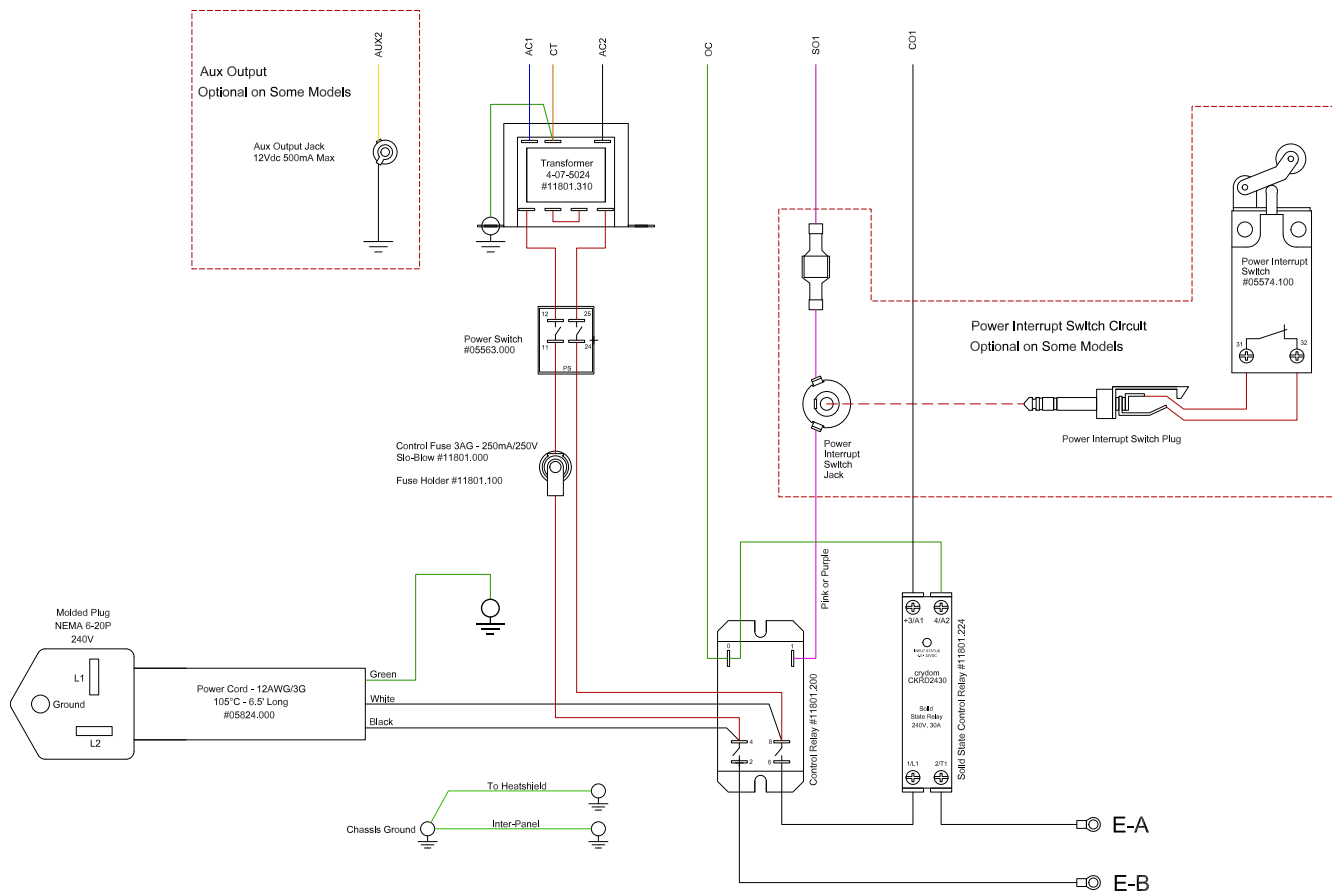
*To Heating Element(s)*

# ECP-SS1/A1-2111-000

## Driver: Solid State Relay

LB 18, LB 22.5, LB 27, KO 18, KO 22.5, KO 27

*To Electronic Controls*

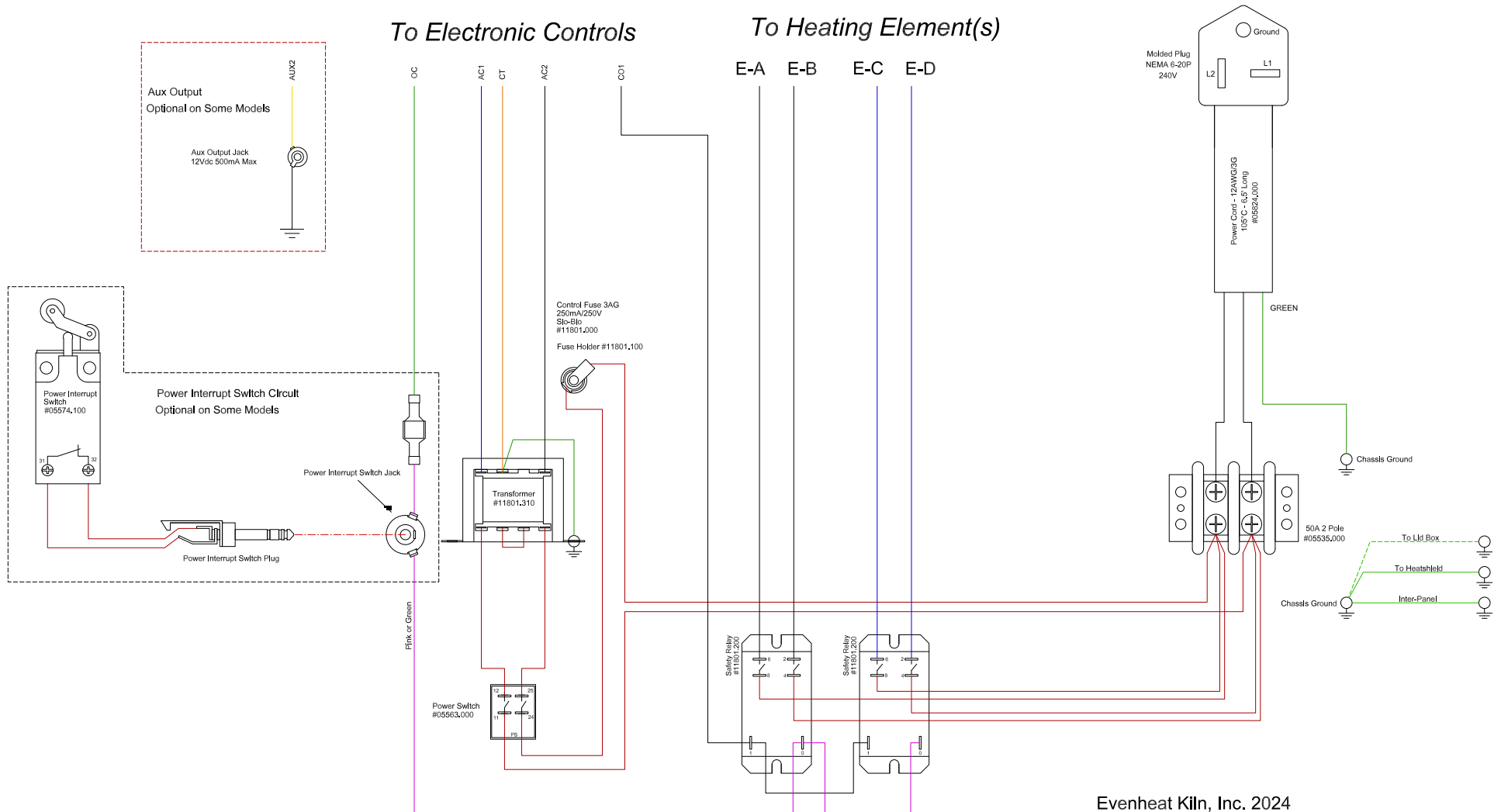


*To Heating Element(s)*

# ECP-MR2/A1-2111-000

Driver: Mechanical Relay

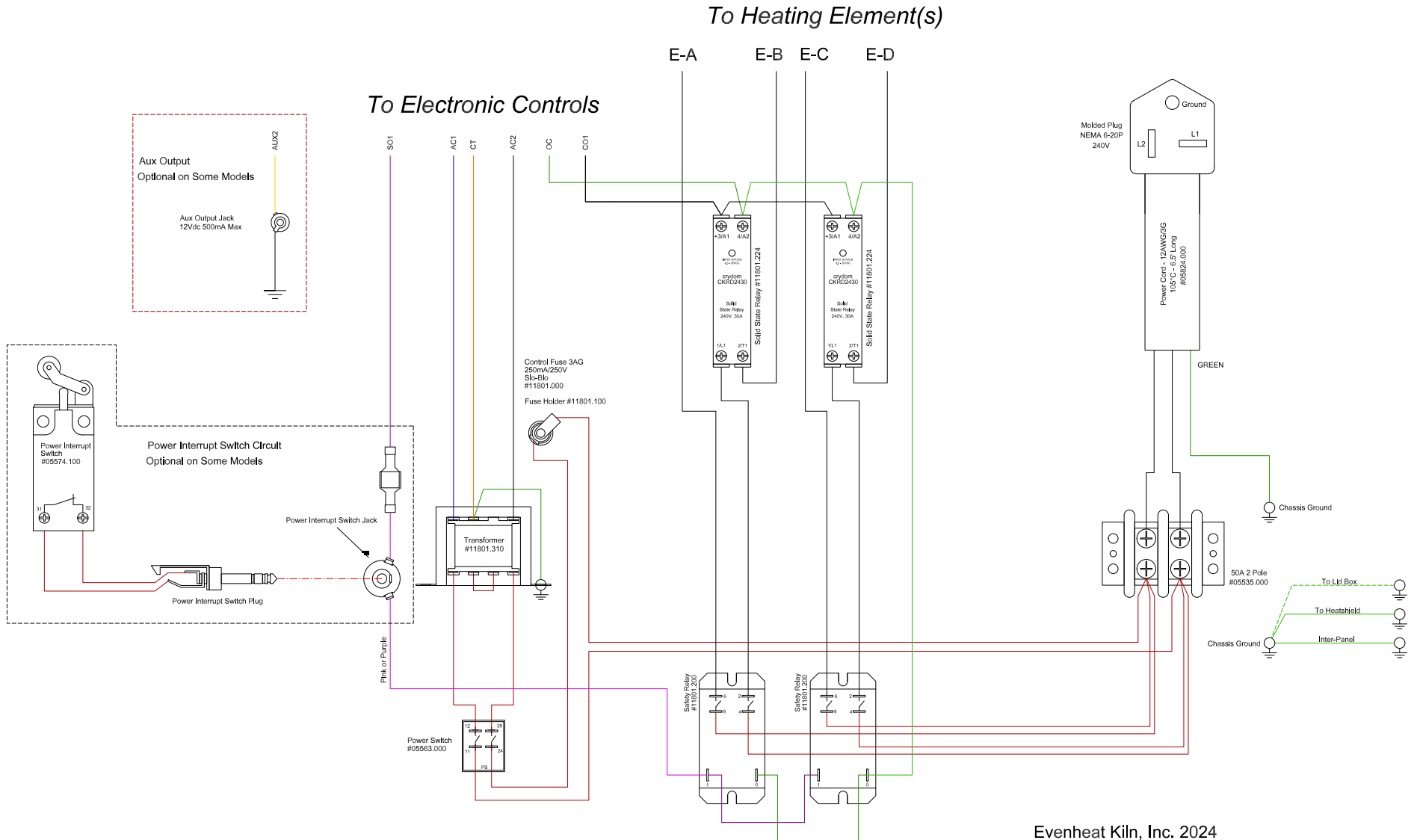
HT-1



# ECP-SS2/A1-2111-000

Driver: Solid State Relay

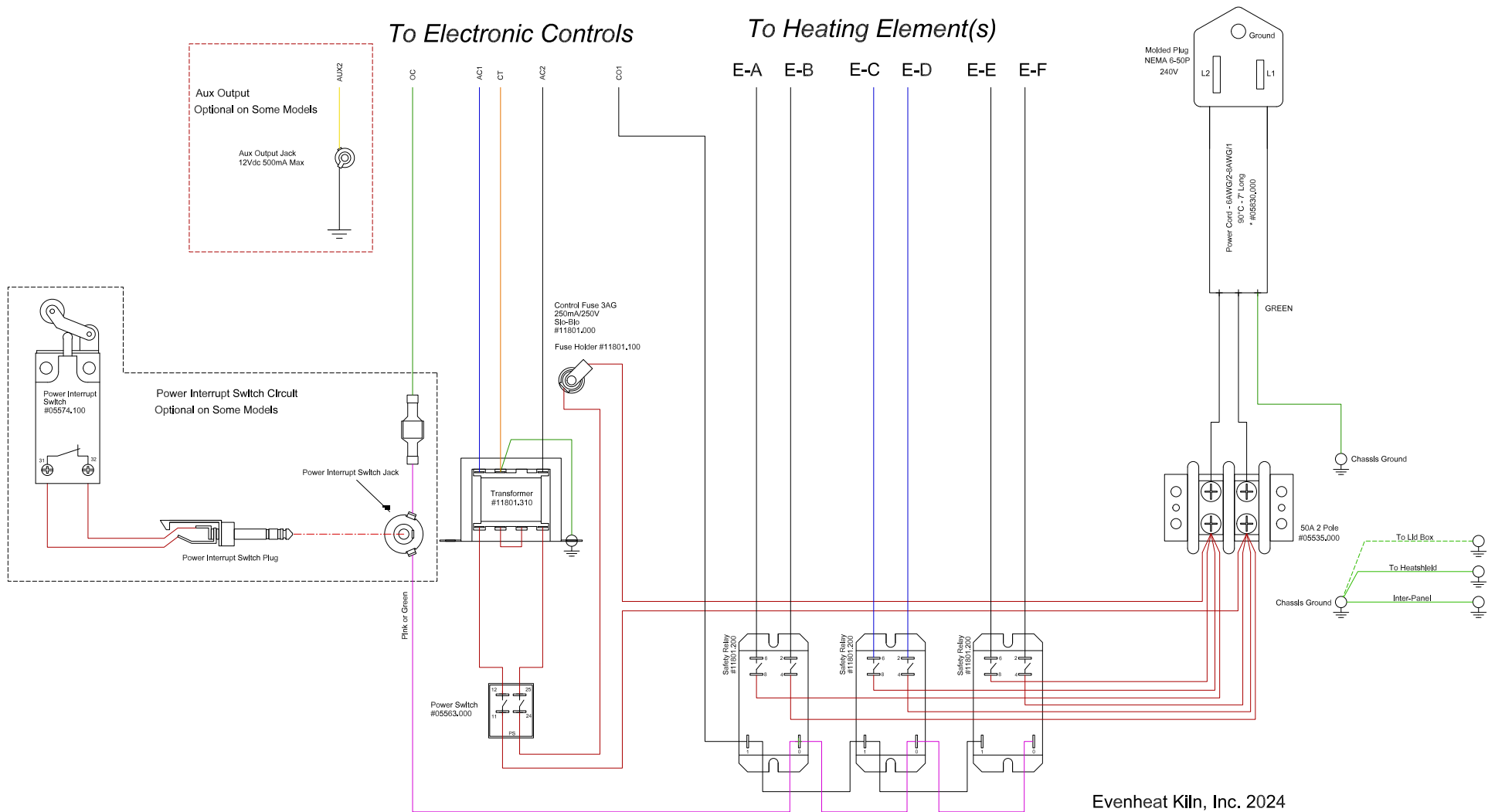
HT-1



# ECP-MR3/A1-4111-000

Driver: Mechanical Relay

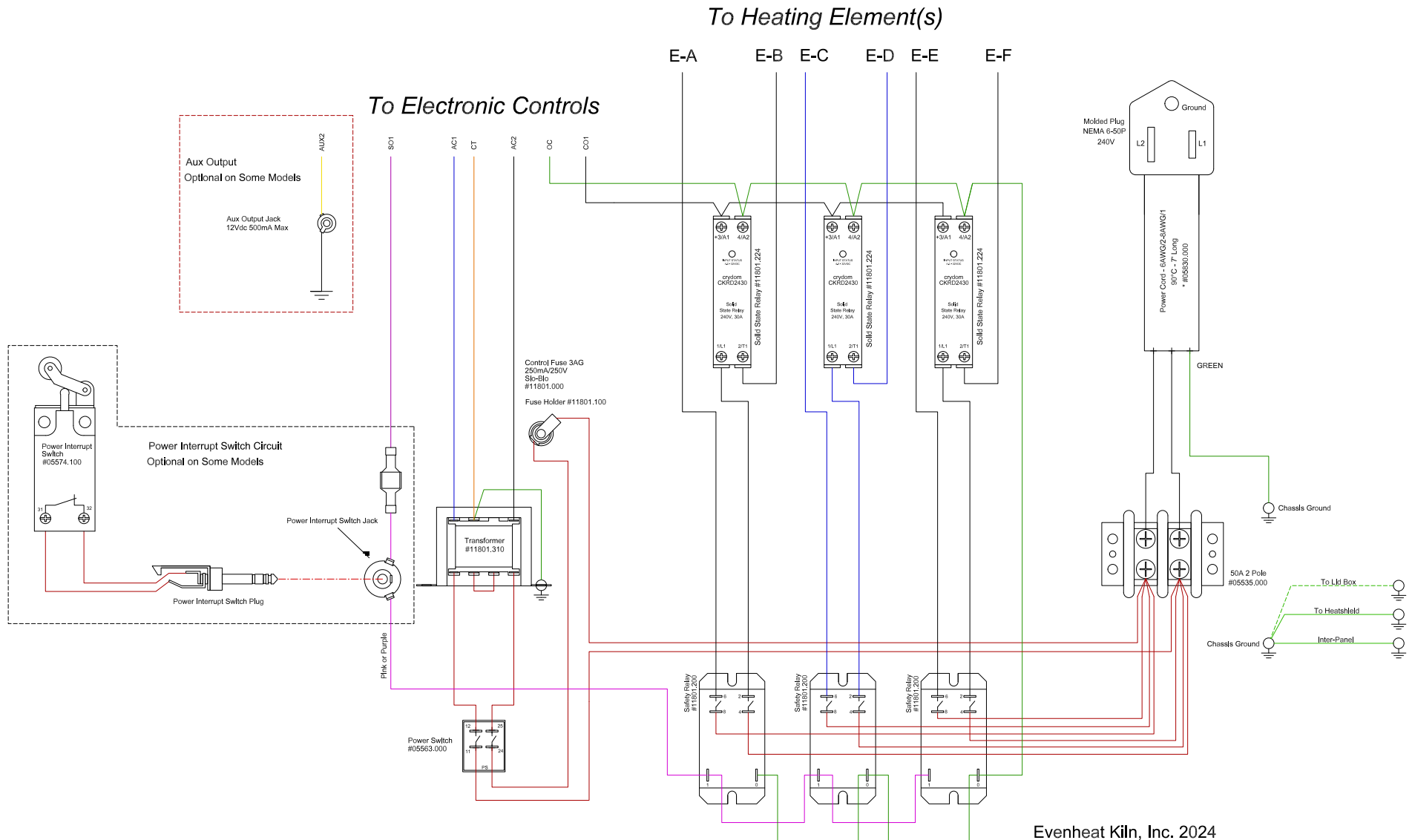
HT-2



# ECP-SS3/A1-4111-000

## Driver: Solid State Relay

### HT-2

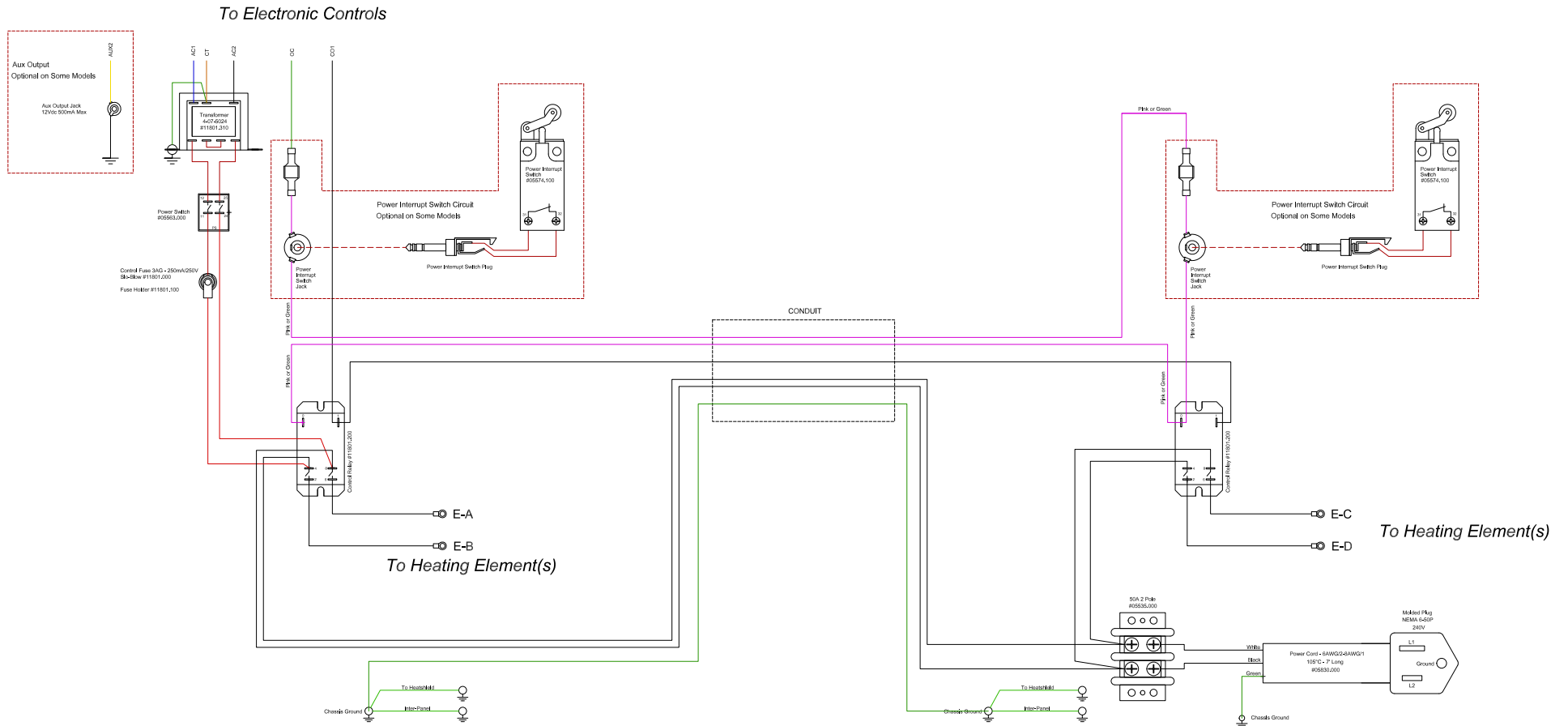




# ECP-MR2/A1-4111-100

Driver: Mechanical Relay

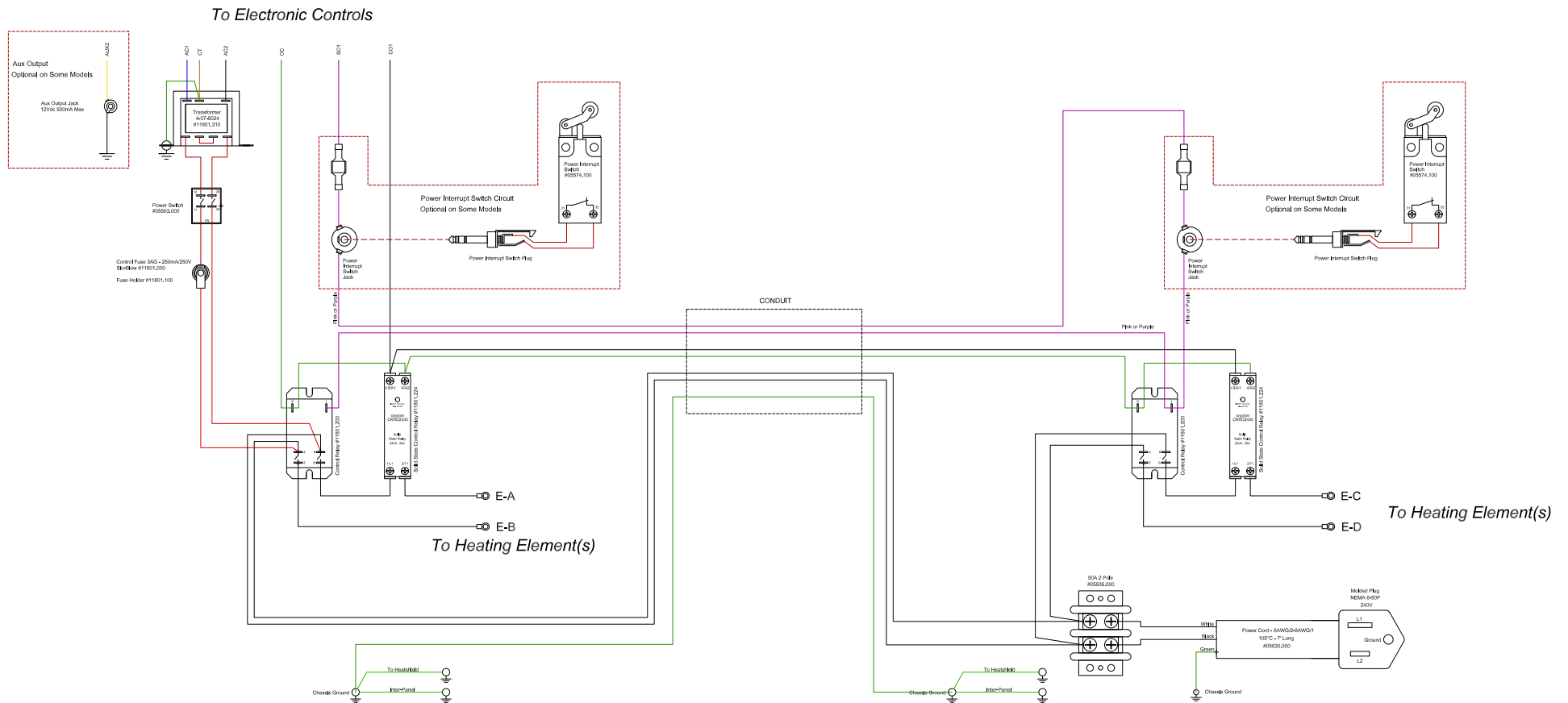
KF 31.5, KF 36, KF 40.5, KF 45 & KF 49.5



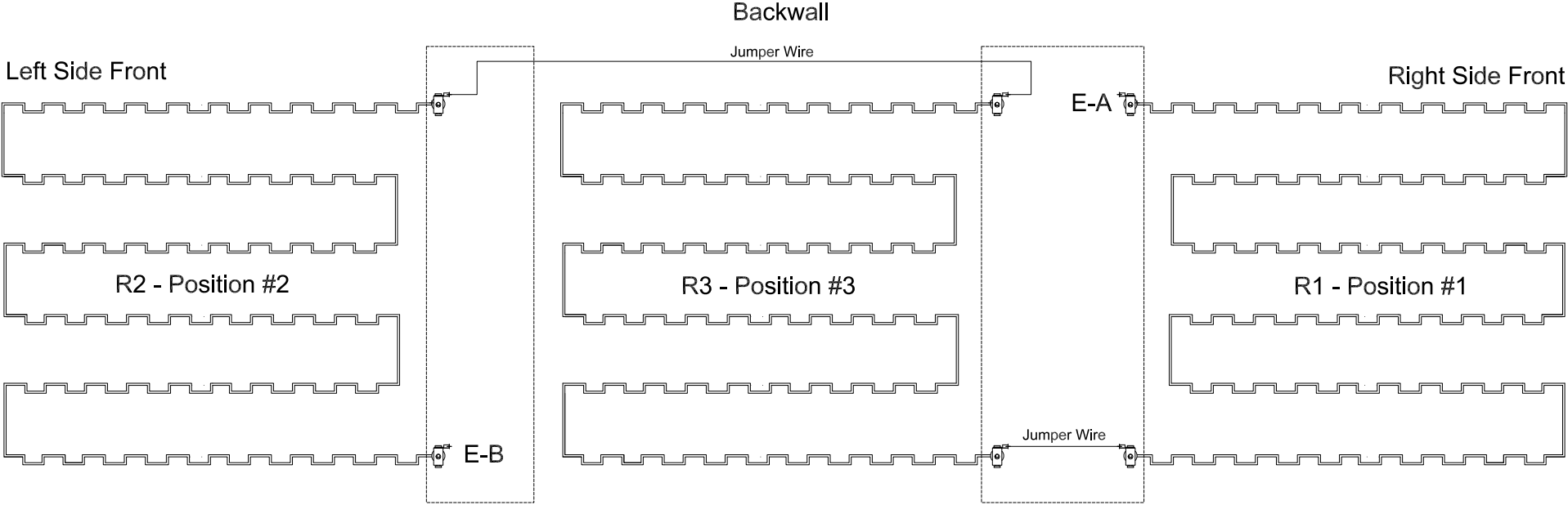
# ECP-SS2/A1-4111-100

Driver: Solid State Relay

KF 31.5, KF 36, KF 40.5, KF 45 & KF 49.5



# Cube 7 Heating Element Diagram

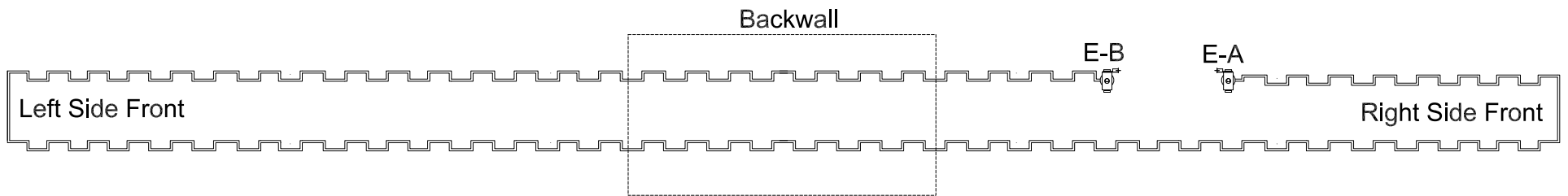


GO TO: [shopevenheat.com](http://shopevenheat.com) for replacement heating elements

Evenheat Kiln, Inc. 2024

# KH 414 Heating Element Diagram

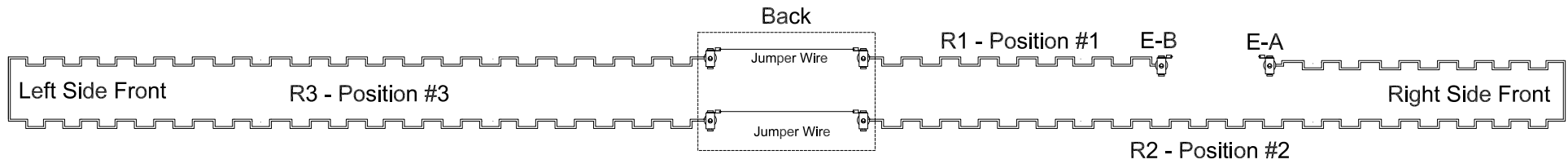
KH 414 Contains a Single Heating Element



GO TO: [shopevenheat.com](http://shopevenheat.com) for replacement heating elements

Evenheat Kiln, Inc. 2024

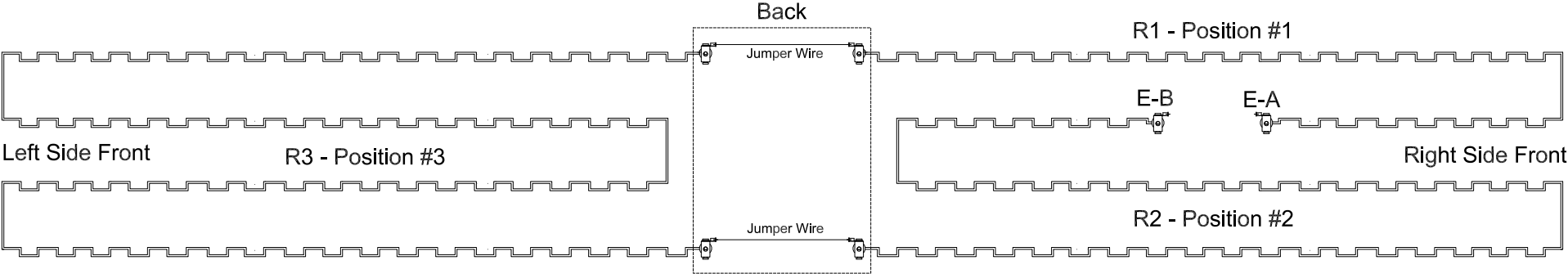
### KH 418 & LT Heating Element Diagram



GO TO: [shopevenheat.com](http://shopevenheat.com) for replacement heating elements

Evenheat Kiln, Inc. 2024

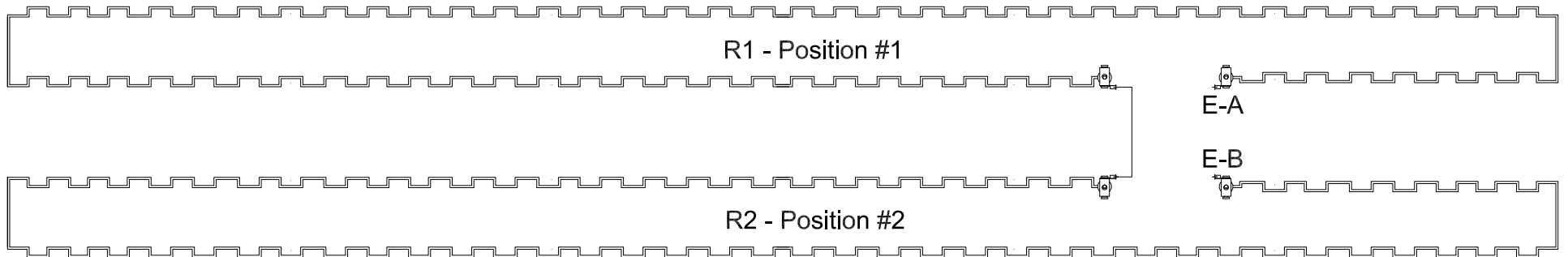
# LB & KO Heating Element Diagram



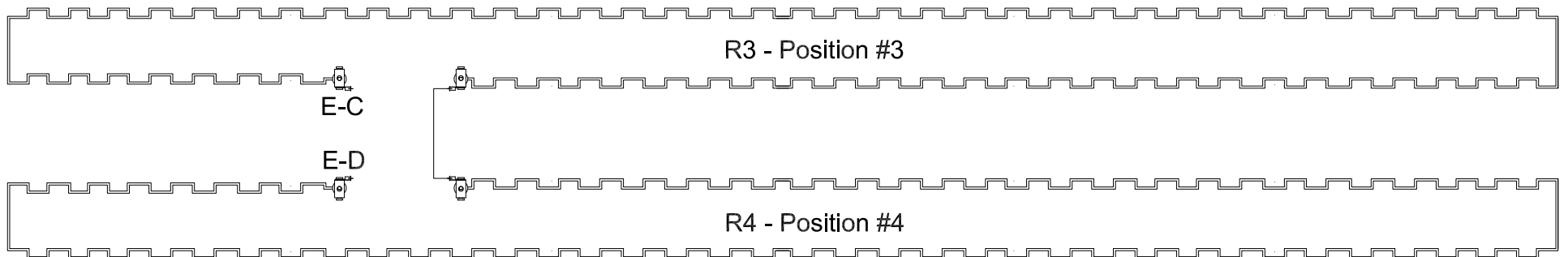
GO TO: [shopevenheat.com](http://shopevenheat.com) for replacement heating elements

# KF Extreme Heating Element Diagram

Right Side Wall (Controller Side)



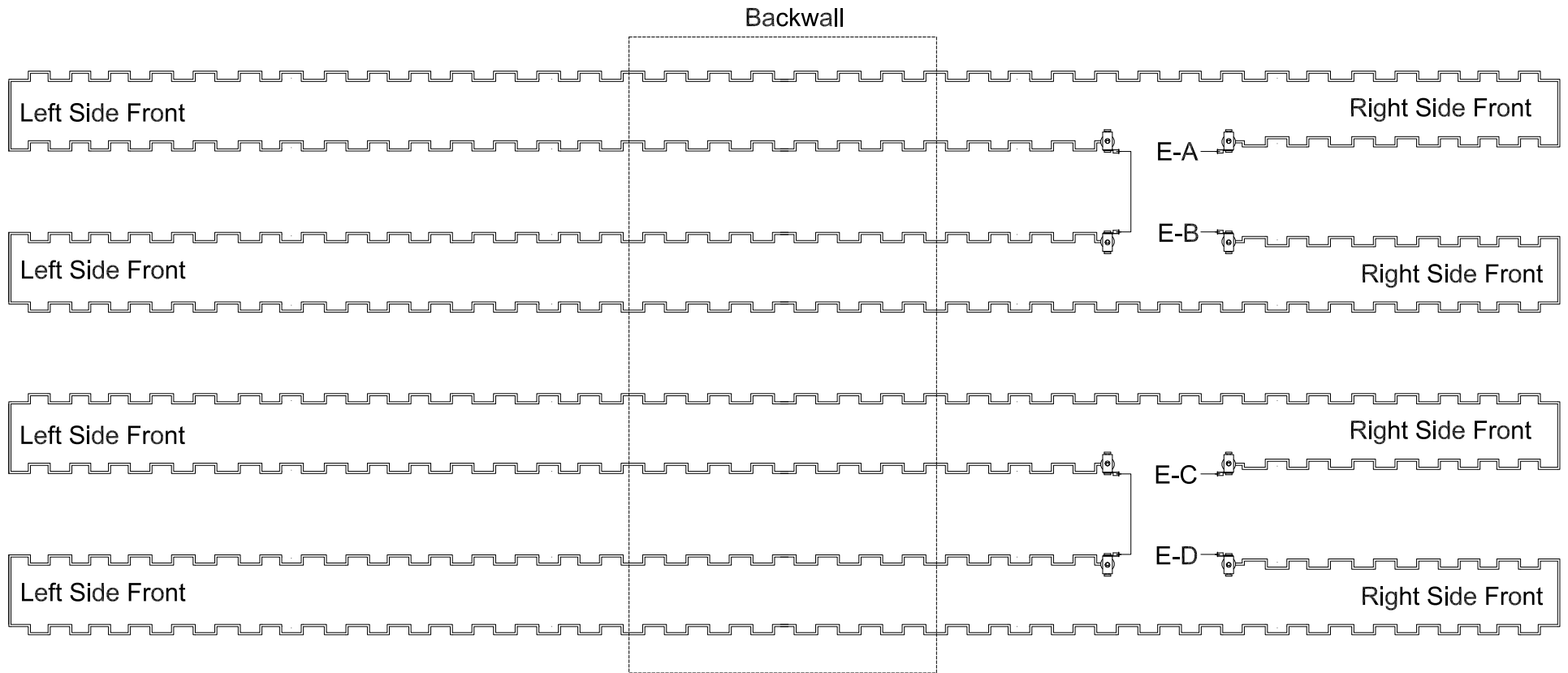
Left Side Wall (Power Cable Side)



GO TO: [shopevenheat.com](http://shopevenheat.com) for replacement heating elements

Evenheat Kiln, Inc. 2024

# HT-1 Heating Element Diagram

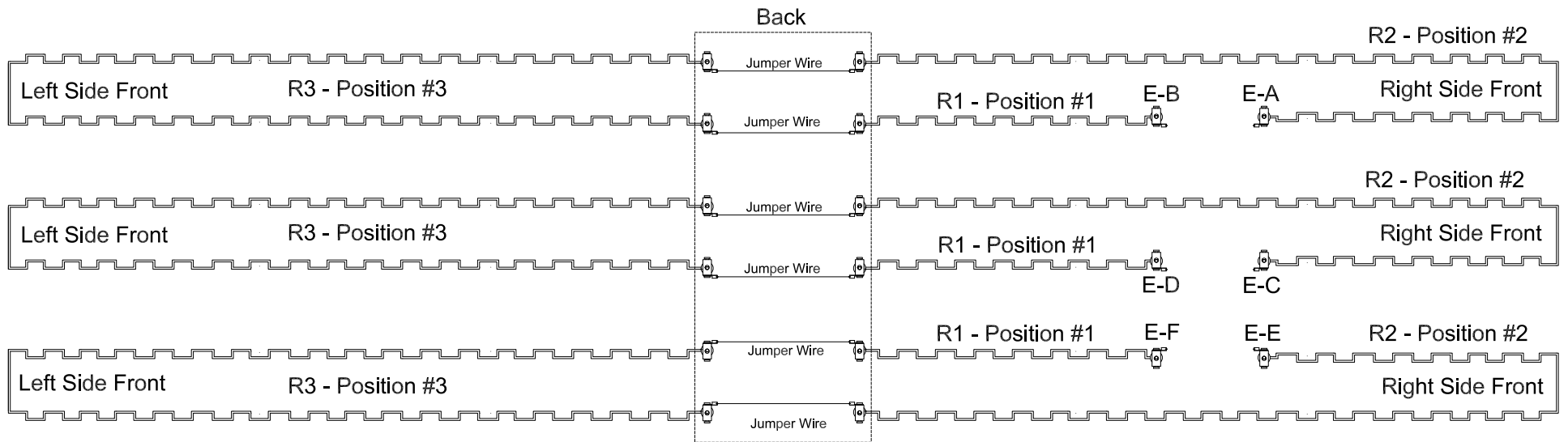


GO TO: [shopevenheat.com](http://shopevenheat.com) for replacement heating elements

Evenheat Kiln, Inc. 2024



# HT-2 Heating Element Diagram

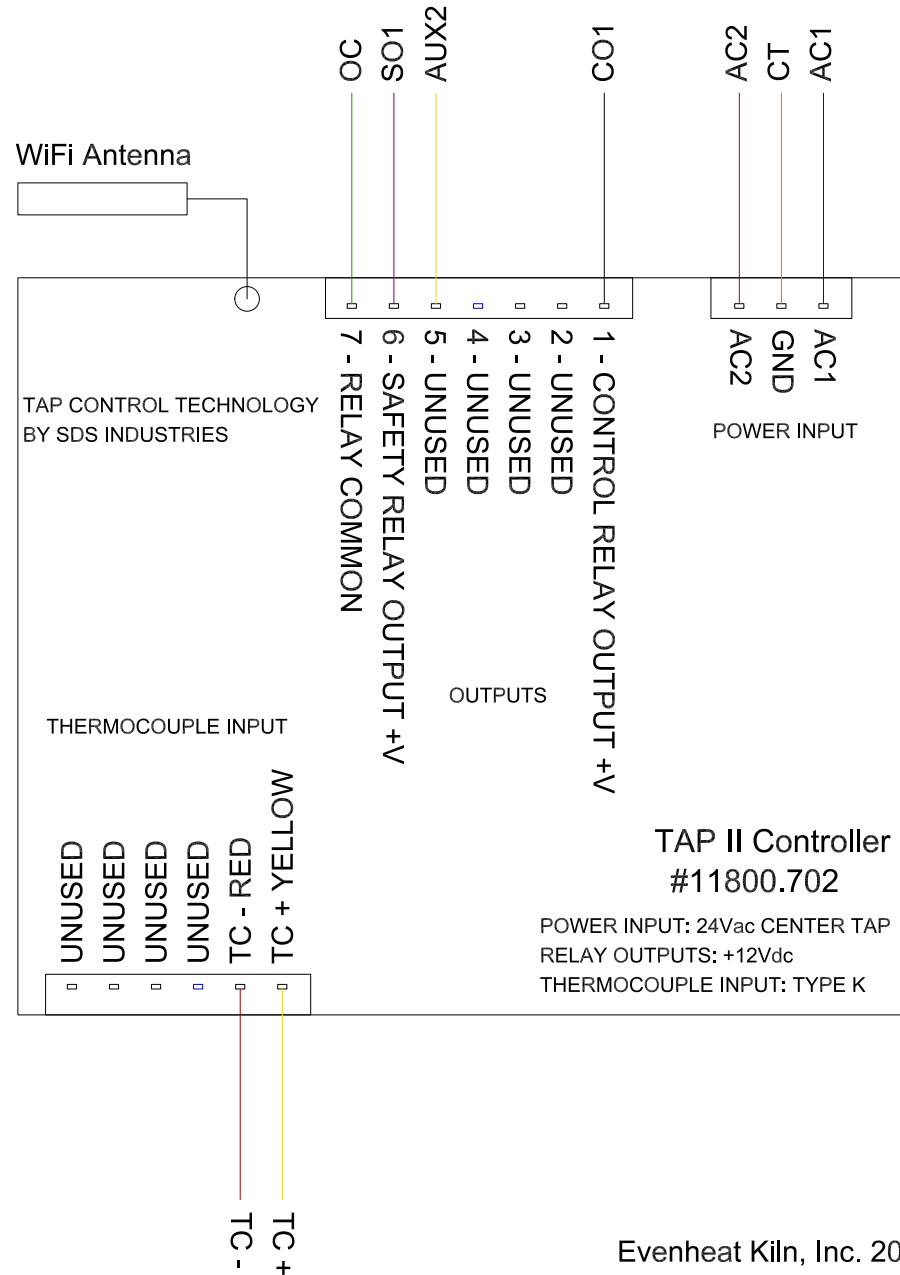


GO TO: [shopevenheat.com](http://shopevenheat.com) for replacement heating elements

Evenheat Kiln, Inc. 2024

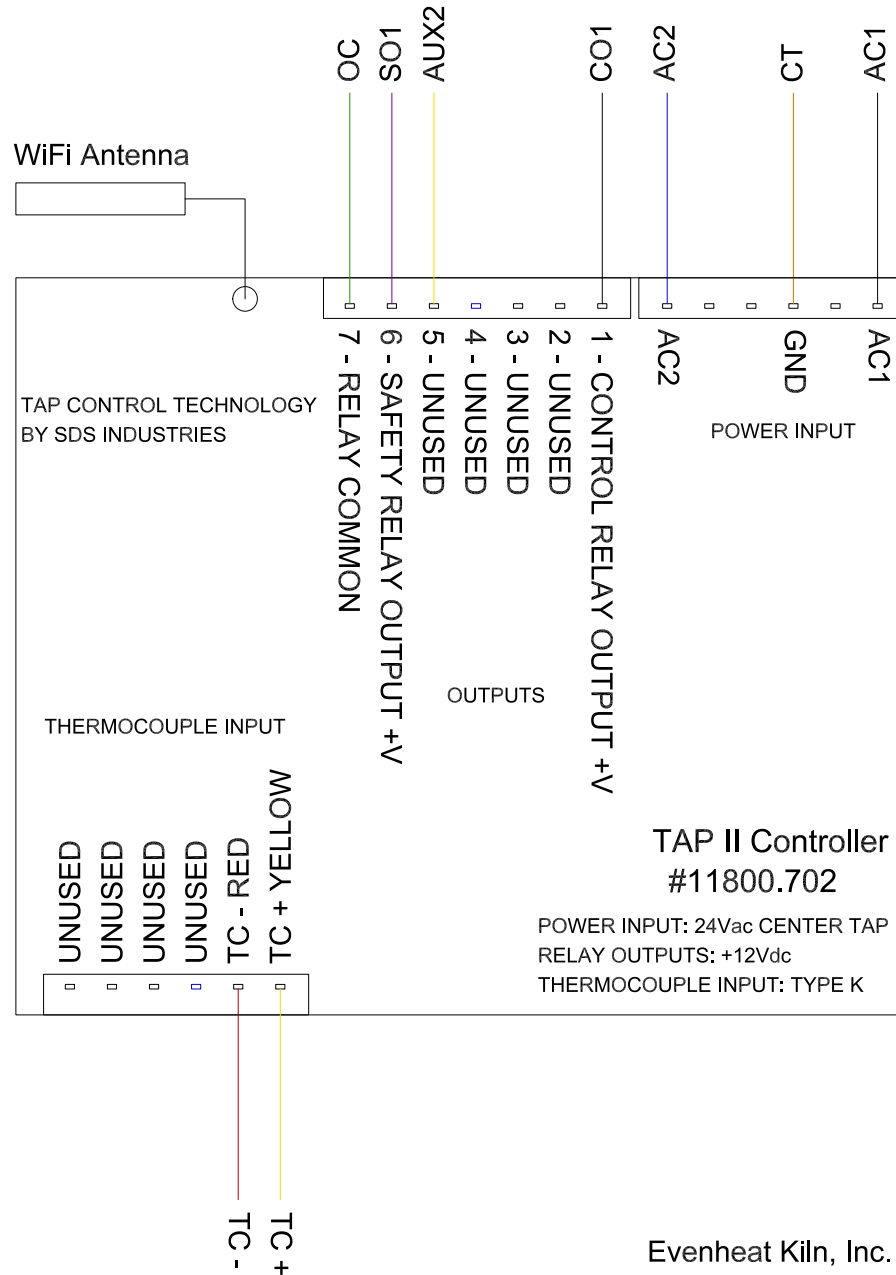
# TAP II Electronic Controls

## w/ 3 Pin Power Input

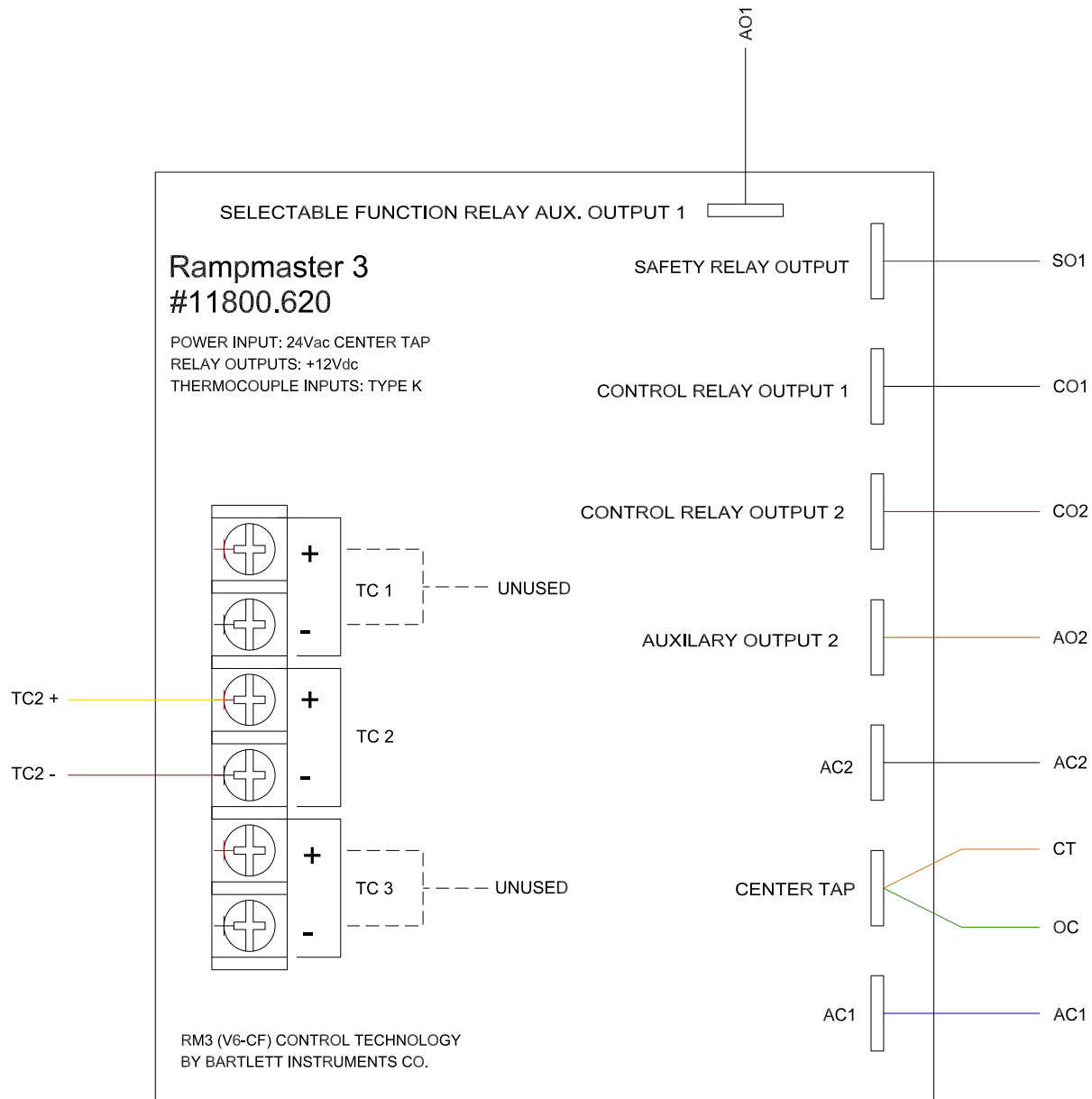


# TAP II Electronic Controls

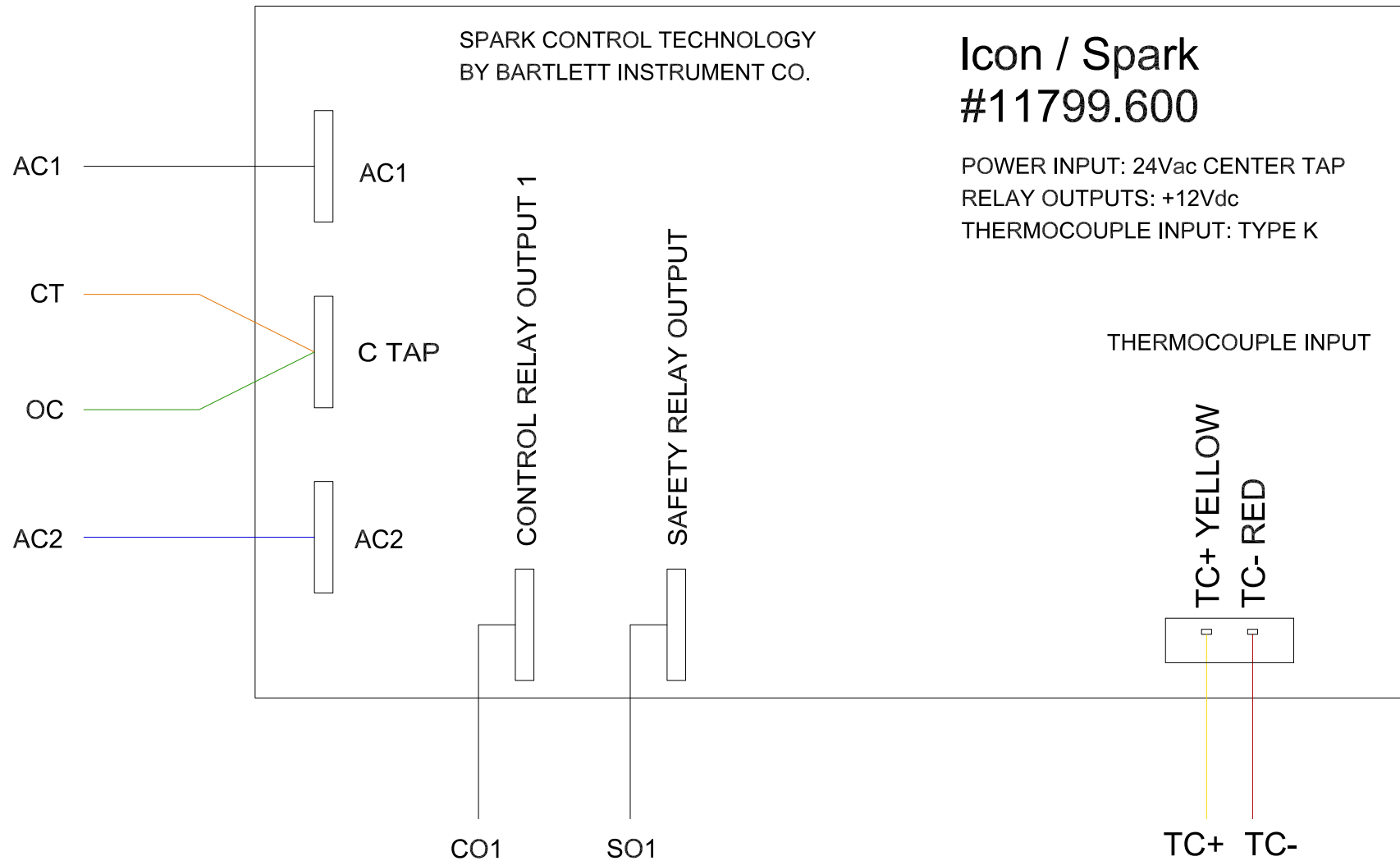
## w/ 6 Pin Power Input



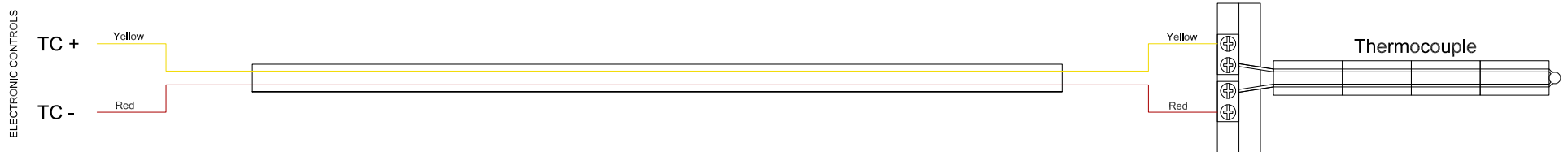
# RM3 Electronic Controls



# Icon Electronic Controls



# Sample Thermocouple Assembly



GO TO: [shopevenheat.com](http://shopevenheat.com) for replacement thermocouples