

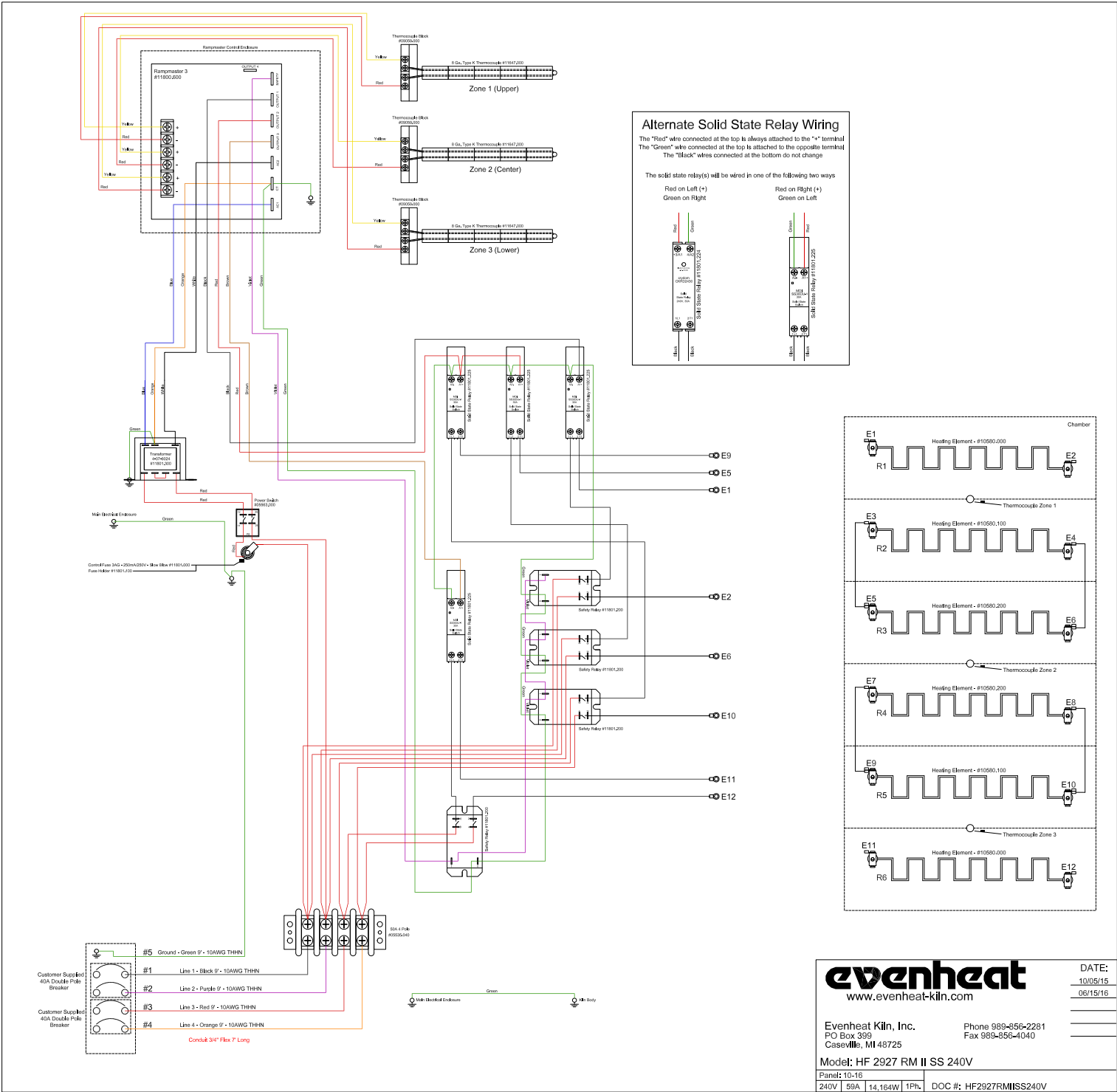
evenheat
www.evenheat-kiln.com

DATE:
10/05/15
06/15/16

Evenheat Kiln, Inc. Phone 989-856-2281
PO Box 399 Fax 989-856-4040
Caseville, MI 48725

Model: HF 2927 RM II 240V

Panel: 10-16
240V 59A 14,164Wh 1Ph. DOC #: HF2927RMII240V



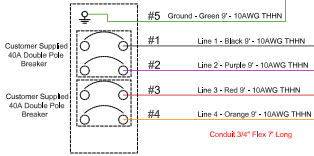
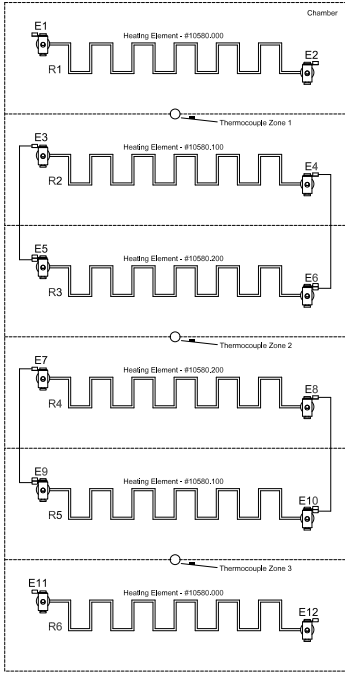
Alternate Solid State Relay Wiring

The "Red" wire connected at the top is always attached to the "+" terminal
 The "Green" wire connected at the top is attached to the opposite terminal
 The "Blue" wires connected at the bottom do not change

The solid state relay(s) will be wired in one of the following two ways

Red on Left (+) Green on Right

Red on Right (+) Green on Left

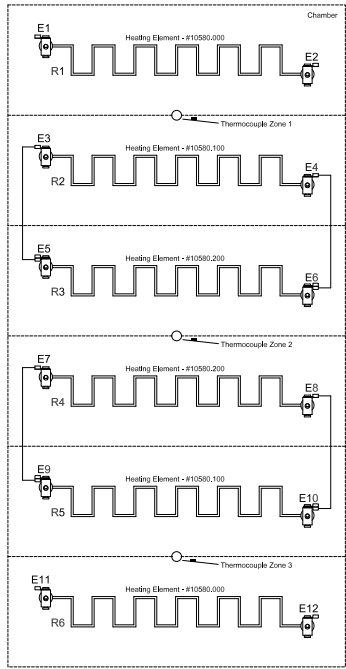
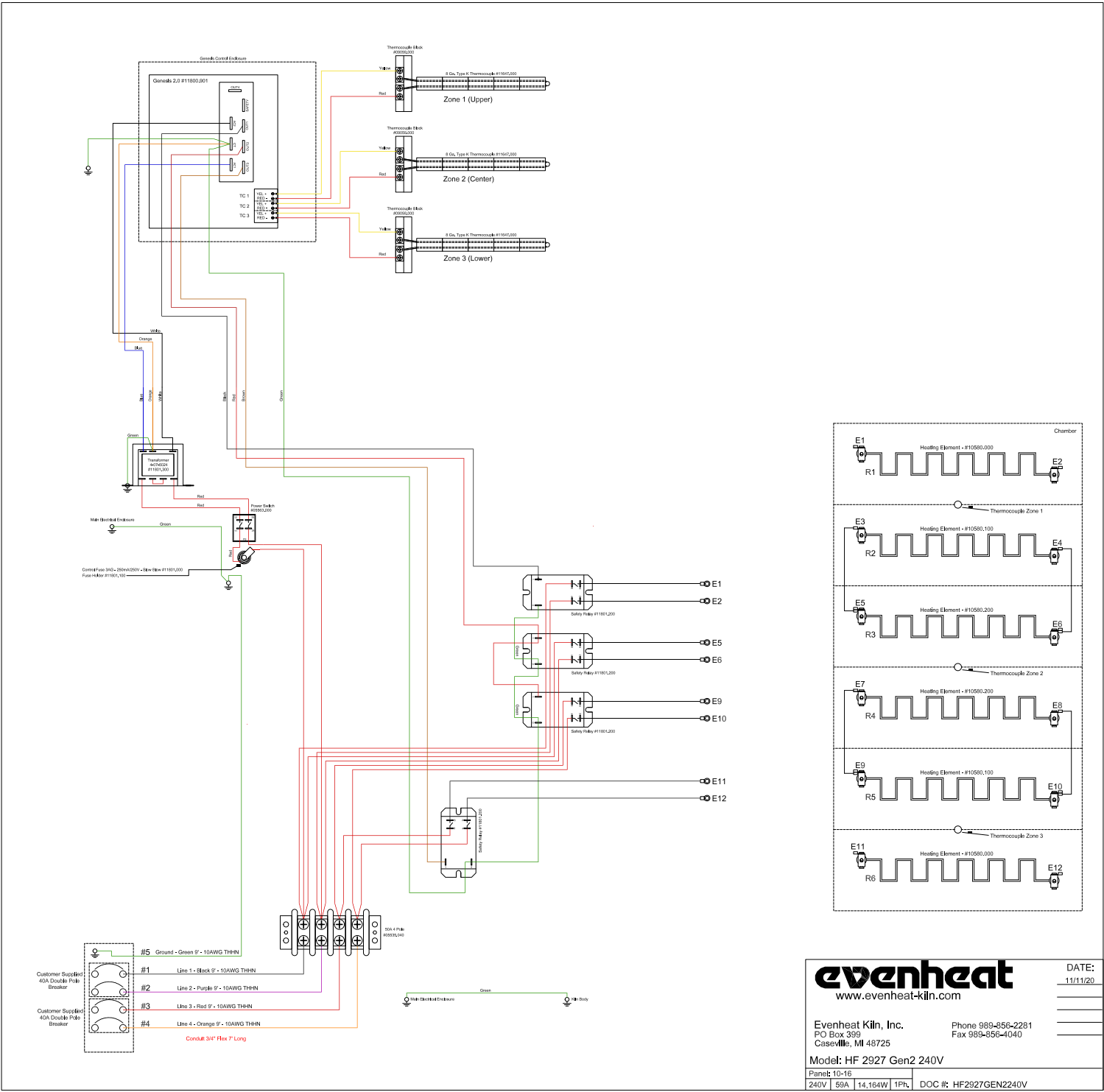


evenheat
 www.evenheat-kiln.com

DATE:
 10/05/15
 06/15/16

Evenheat Kiln, Inc. Phone 989-856-2281
 PO Box 399 Fax 989-856-4040
 Caseville, MI 48725

Model: HF 2927 RM II SS 240V
 Panel: 10-16
 240V 59A 14,164Wh 1Ph DOC #: HF2927RMIISS240V



- #5 Ground - Green 9' - 10AWG THHN
 - #1 Line 1 - Black 9' - 10AWG THHN
 - #2 Line 2 - Purple 9' - 10AWG THHN
 - #3 Line 3 - Red 9' - 10AWG THHN
 - #4 Line 4 - Orange 9' - 10AWG THHN
- Conduit: 3/4" Flex 7' Long

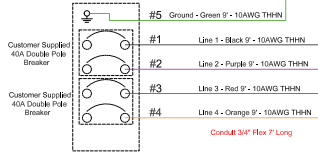
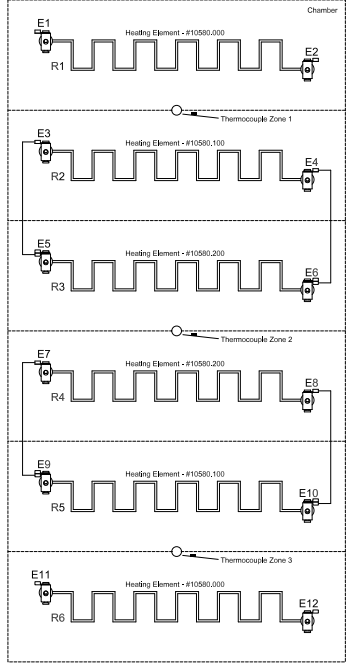
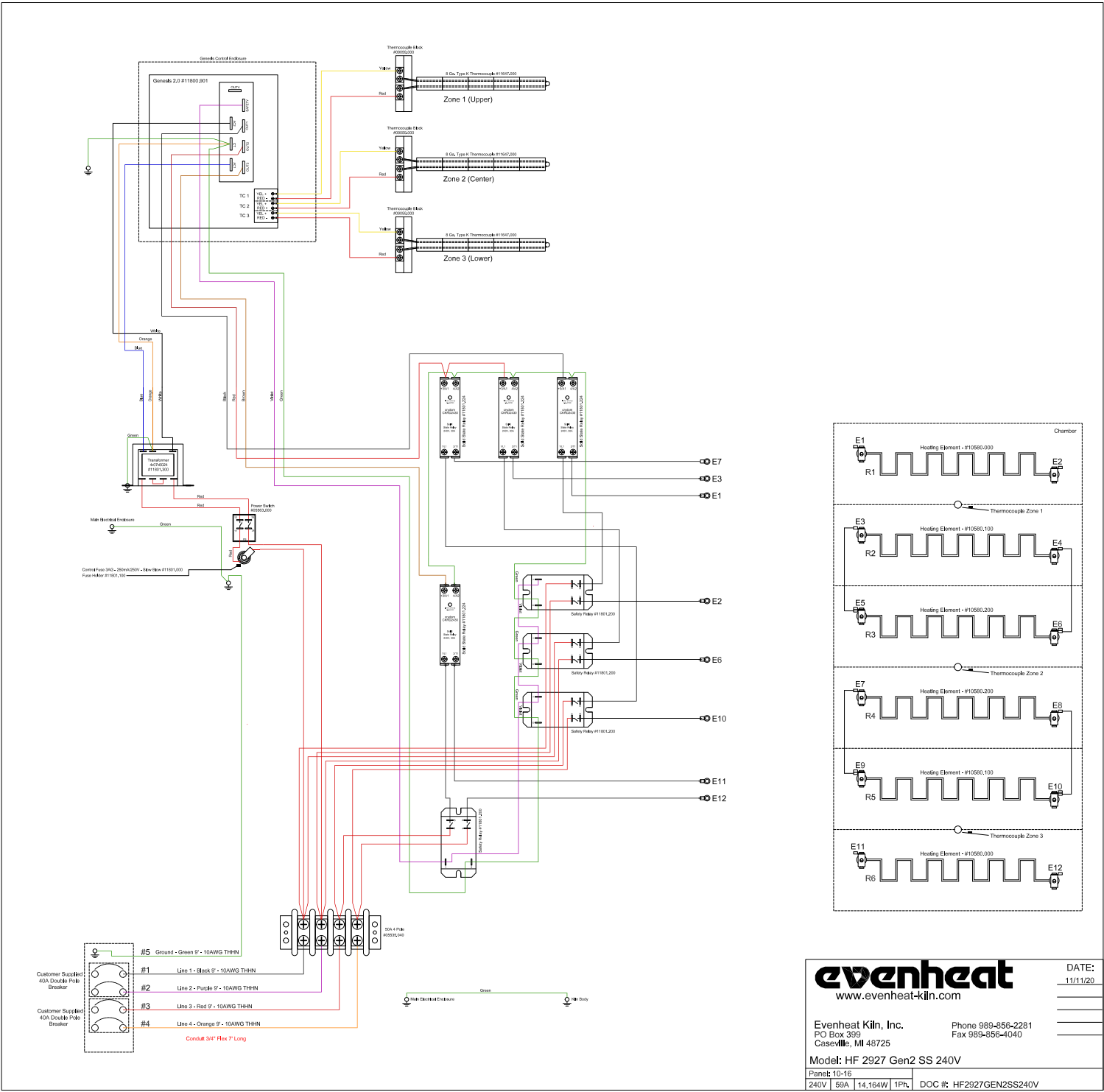
evenheat
www.evenheat-kiln.com

DATE: 11/11/20

Evenheat Kiln, Inc. Phone 989-856-2281
PO Box 399 Fax 989-856-4040
Caseville, MI 48725

Model: HF 2927 Gen2 240V

| | |
|---|--|
| Panel: 10-16 | |
| 240V 59A 14,164W 1Ph, DOC #: HF2927GEN2240V | |



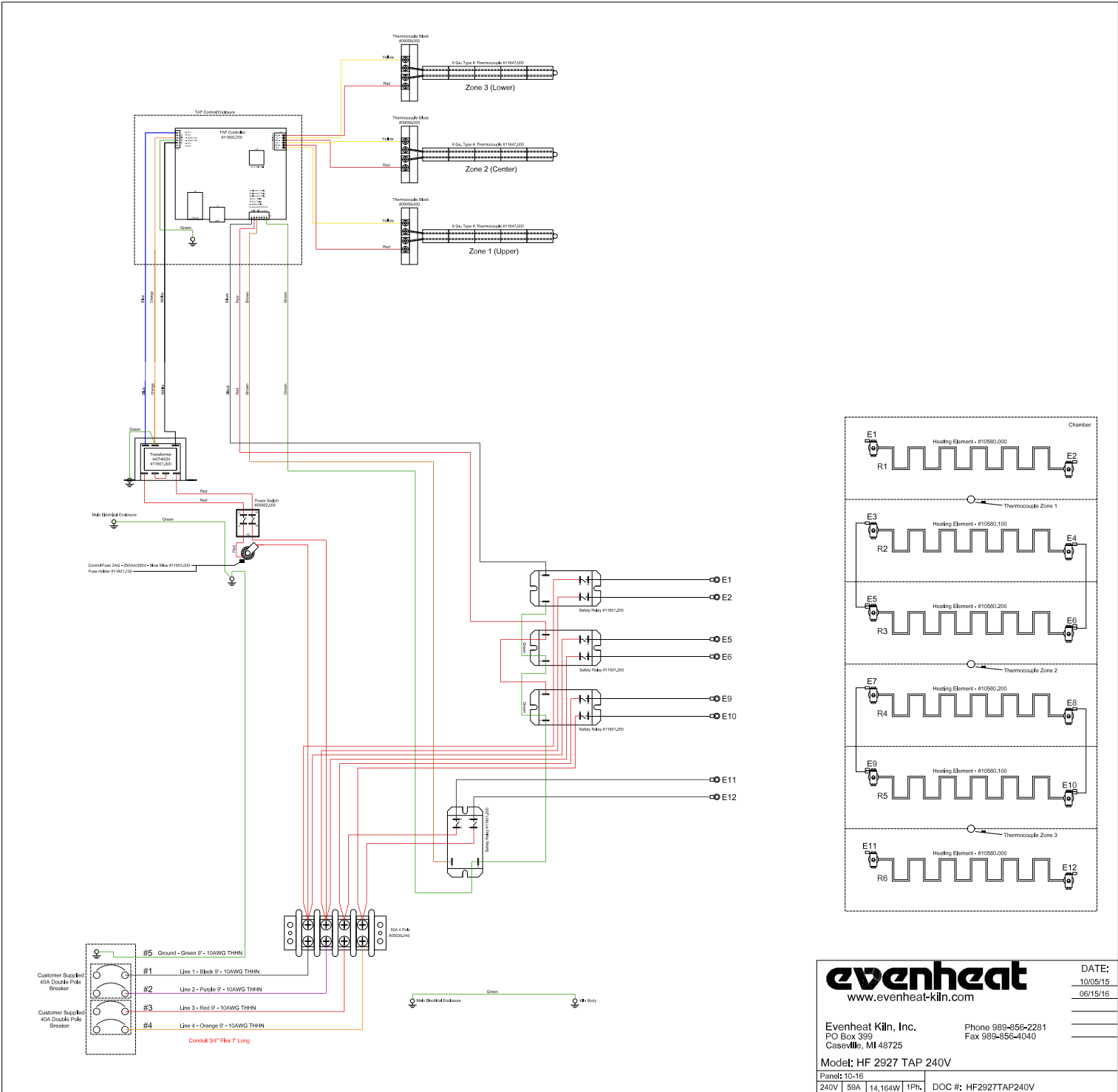
evenheat
www.evenheat-kiln.com

DATE: 11/11/20

Evenheat Kiln, Inc. Phone 989-856-2281
PO Box 399 Fax 989-856-4040
Caseville, MI 48725

Model: HF 2927 Gen2 SS 240V

| | |
|----------------------------|-------------------------|
| Panel: 10-16 | |
| 240V 59A 14,164W 1Ph, 1Pr, | DOC #: HF2927GEN2SS240V |

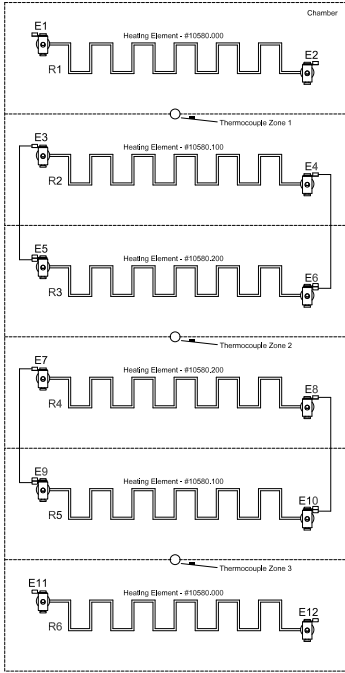
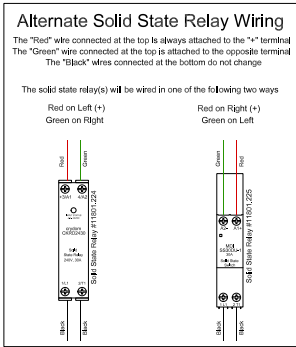
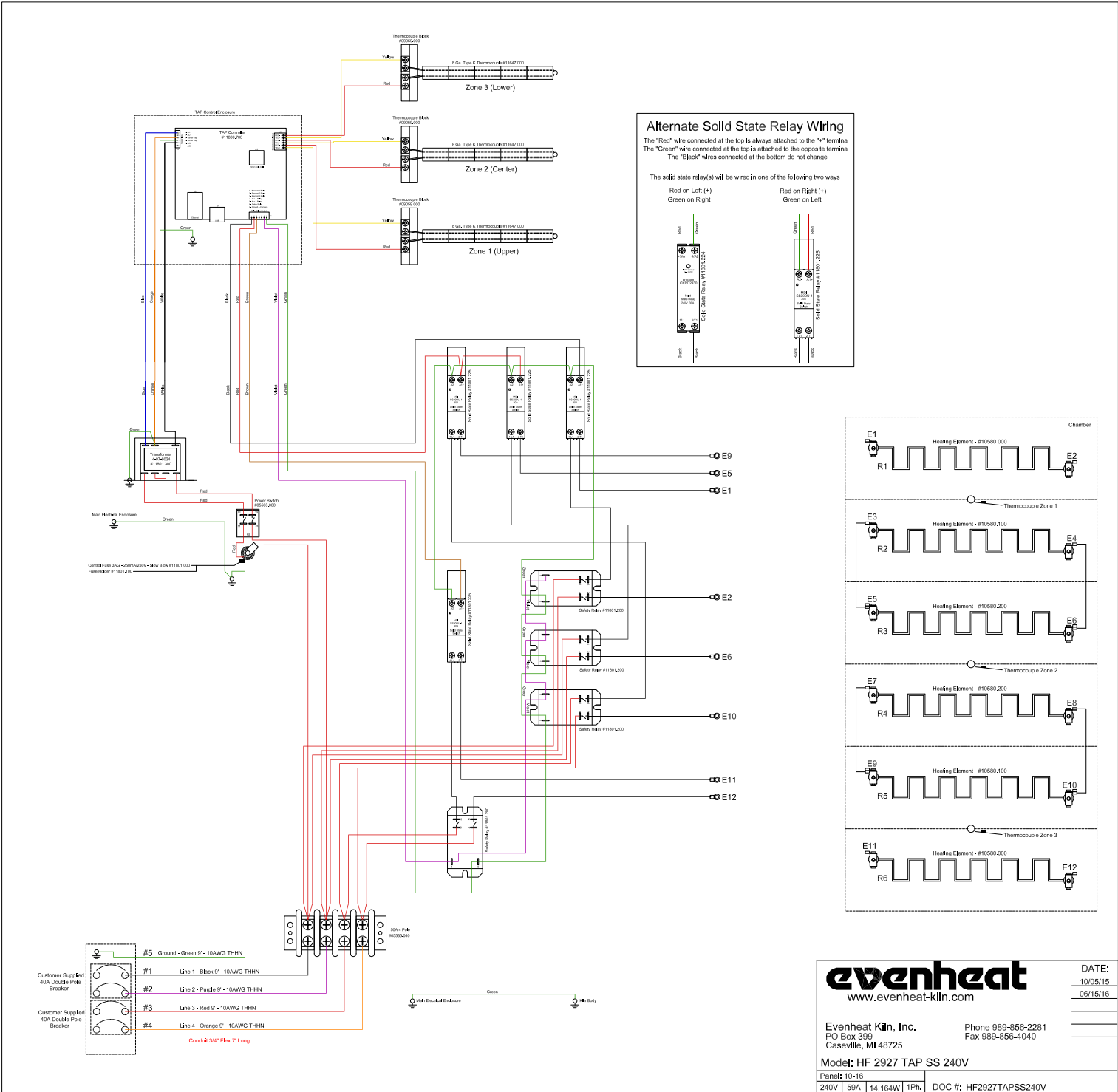


evenheat
www.evenheat-kiln.com

DATE:
10/05/15
06/15/16

Evenheat Kiln, Inc. Phone 989-856-2281
PO Box 399 Fax 989-856-4040
Caseville, MI 48725

Model: HF 2927 TAP 240V
 Panel: 10-16
 240V 59A 14,164W 1Ph DOC #: HF2927TAP240V



evenheat
 www.evenheat-kiln.com

DATE:
 10/05/15
 06/15/16

Evenheat Kiln, Inc. Phone 989-856-2281
 PO Box 399 Fax 989-856-4040
 Caseville, MI 48725

Model: HF 2927 TAP SS 240V

Panel: 10-16
 240V 59A 14,164Wh 1Ph. DOC #: HF2927TAPSS240V