

evenheat
www.evenheat-kiln.com

Evenheat Kiln, Inc. Phone 989-856-2281
PO Box 399 Fax 989-856-4040
Caseville, MI 48725

Model: RM II 2322 STP 240V

Panel: 08-16
240V 39A 9240W 1Ph. DOC #: STP2322240V

Alternate Solid State Relay Wiring

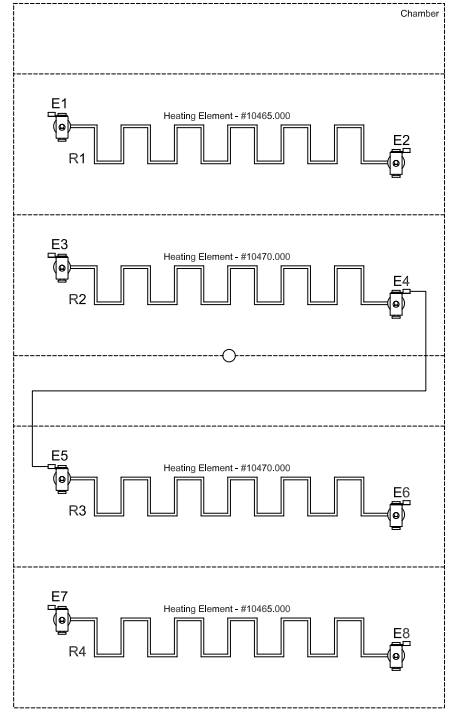
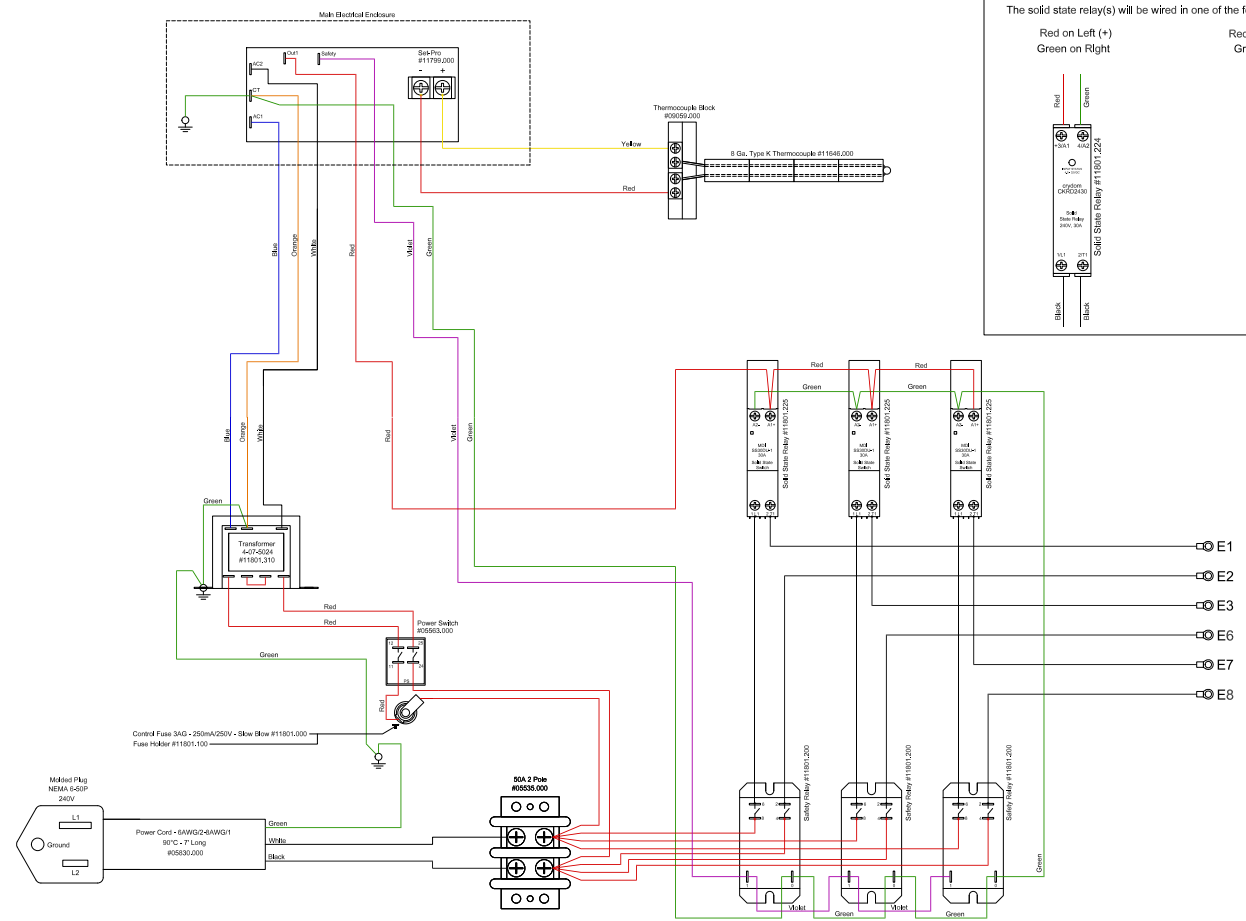
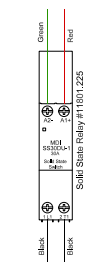
The "Red" wire connected at the top is always attached to the "+" terminal
 The "Green" wire connected at the top is attached to the opposite terminal
 The "Black" wires connected at the bottom do not change

The solid state relay(s) will be wired in one of the following two ways

Red on Left (+)
Green on Right



Red on Right (+)
Green on Left





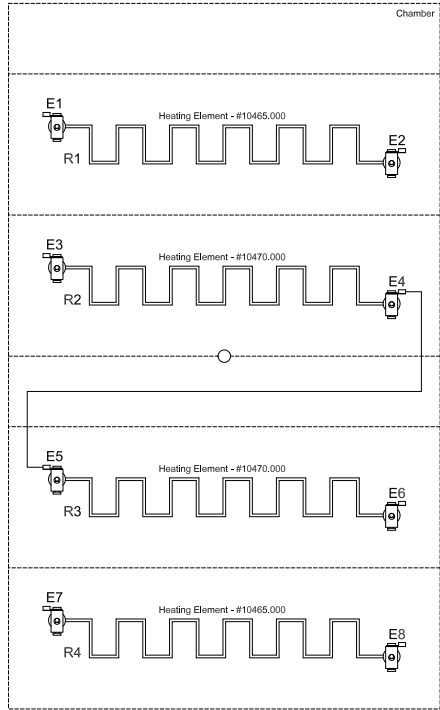
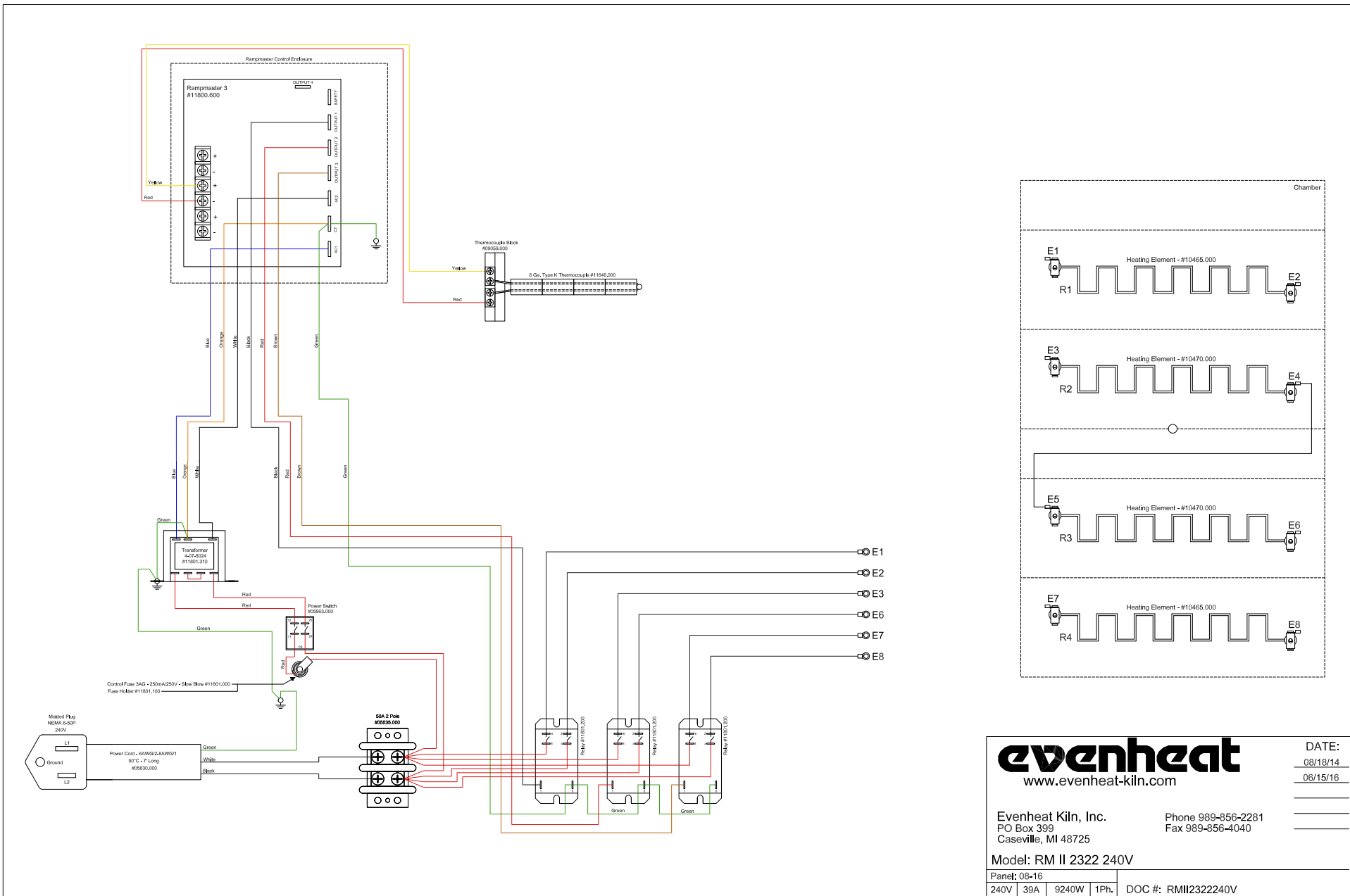
www.evenheat-kiln.com

DATE:
08/18/14
06/15/16

Evenheat Kiln, Inc. Phone 989-856-2281
 PO Box 399 Fax 989-856-4040
 Caseville, MI 48725

Model: RM II 2322 STP SS 240V

Panel: 08-16	
240V	39A 9240W 1Ph. DOC #: STP2322SS240V



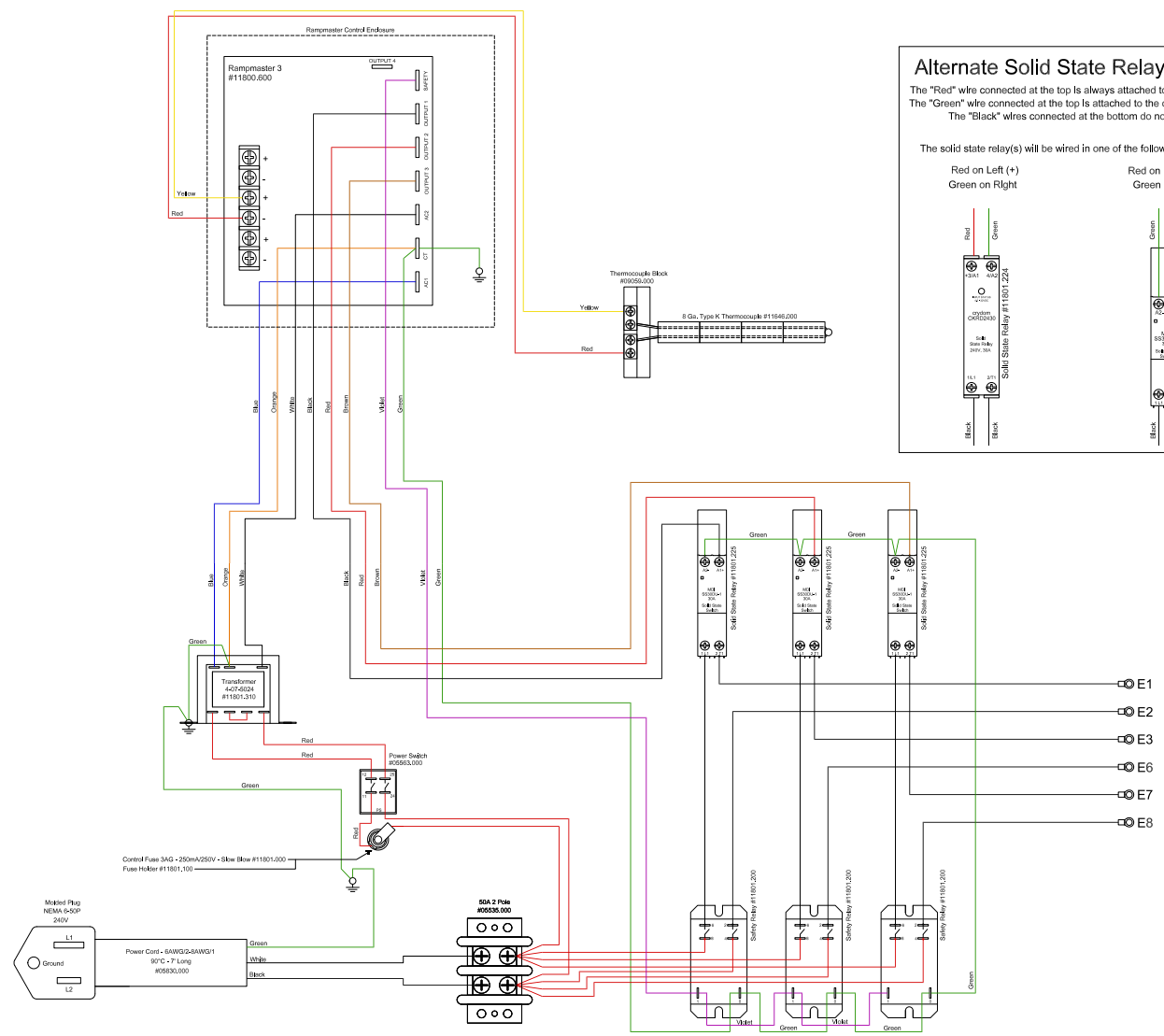
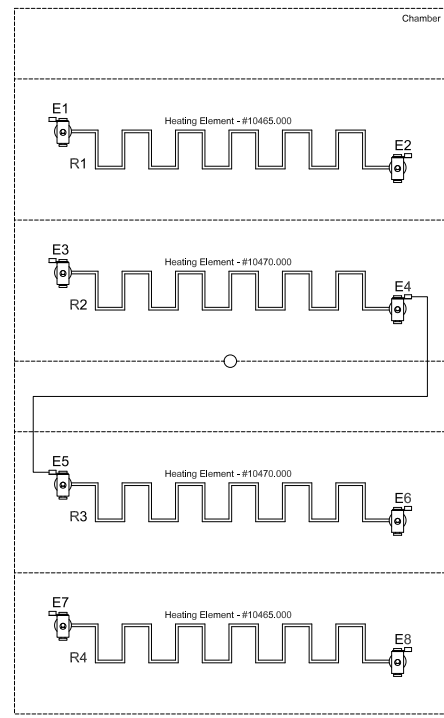
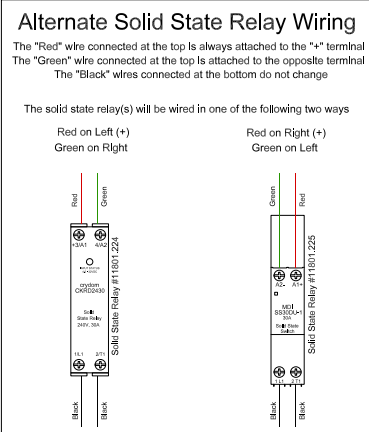
evenheat
www.evenheat-kiln.com

DATE:
08/18/14
06/15/16

Evenheat Kiln, Inc. Phone 989-856-2281
PO Box 399 Caseville, MI 48725 Fax 989-856-4040

Model: RM II 2322 240V

Panel: 08-16
240V | 39A | 9240W | 1Ph. DOC #: RMI2322240V



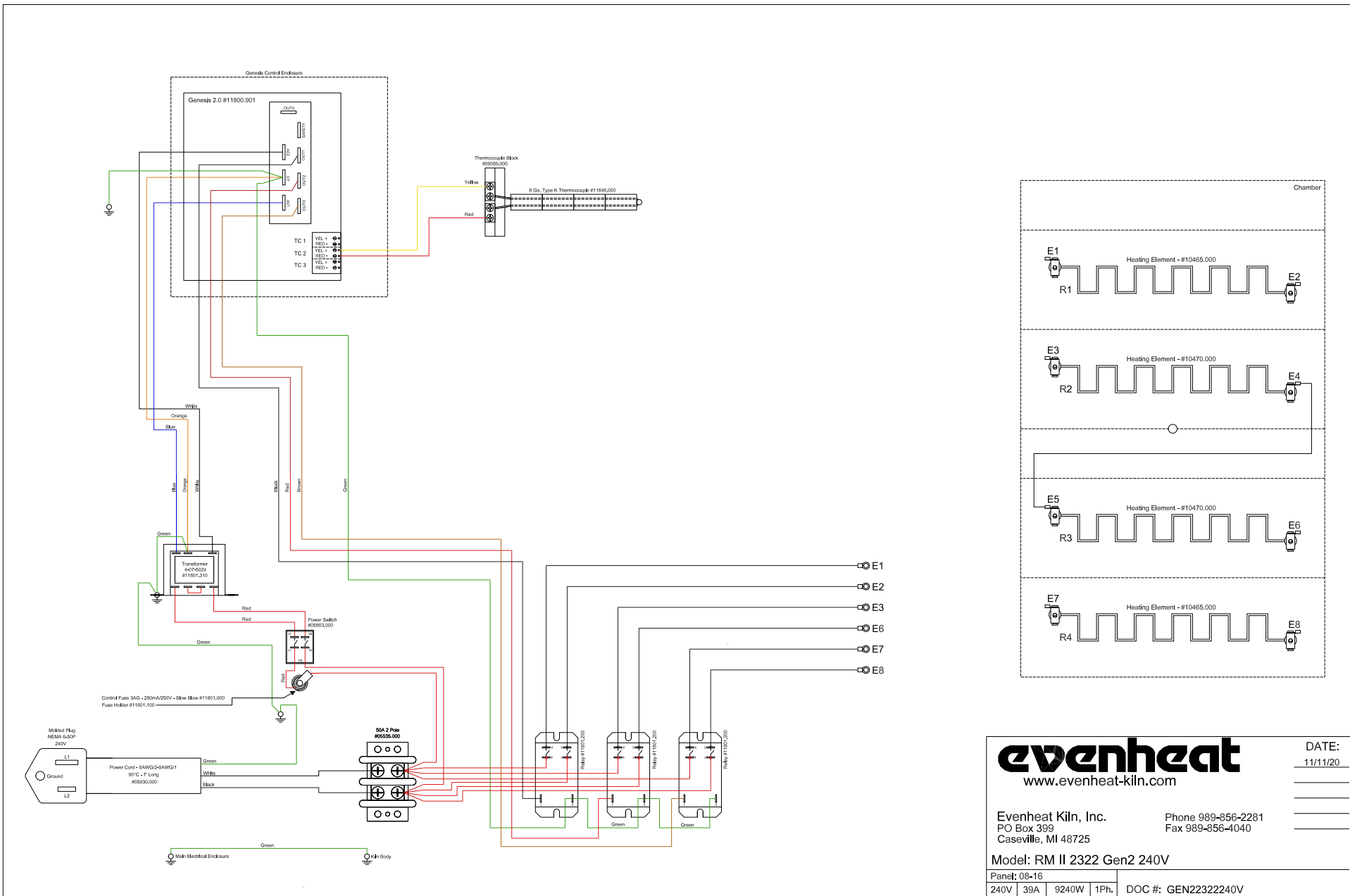
evenheat
 www.evenheat-kiln.com

DATE: 08/18/14
 06/15/16

Evenheat Kiln, Inc. Phone 989-856-2281
 PO Box 399 Caseville, MI 48725 Fax 989-856-4040

Model: RM II 2322 SS 240V

Panel: 08-16	
240V	39A 9240W 1Ph. DOC #: RMI12322SS240V



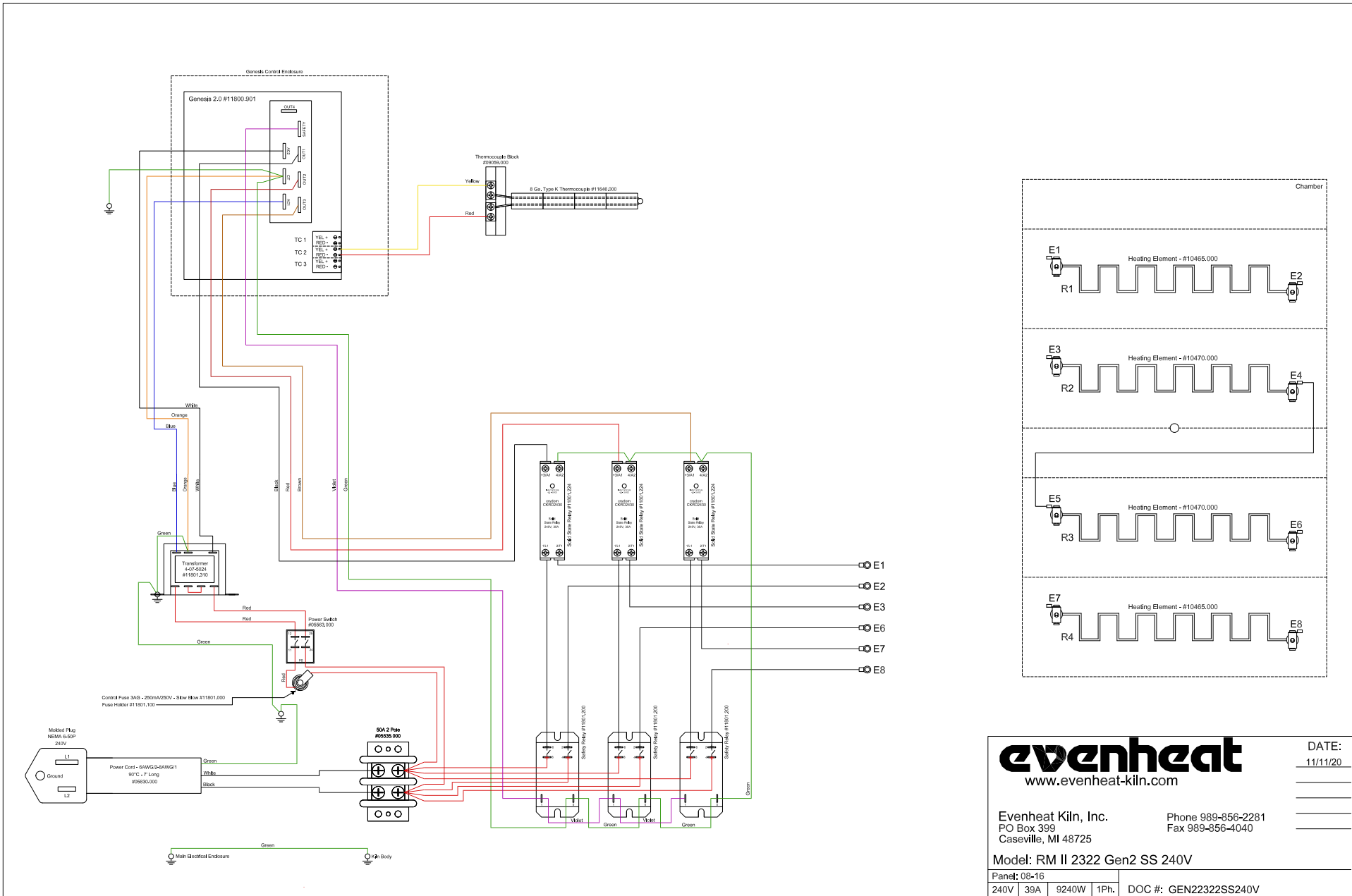
evenheat
www.evenheat-kiln.com

DATE: 11/11/20

Evenheat Kiln, Inc. Phone 989-856-2281
PO Box 399 Caseville, MI 48725 Fax 989-856-4040

Model: RM II 2322 Gen2 240V

Panel: 08-16	
240V	39A 9240W 1Ph. DOC #: GEN22322240V



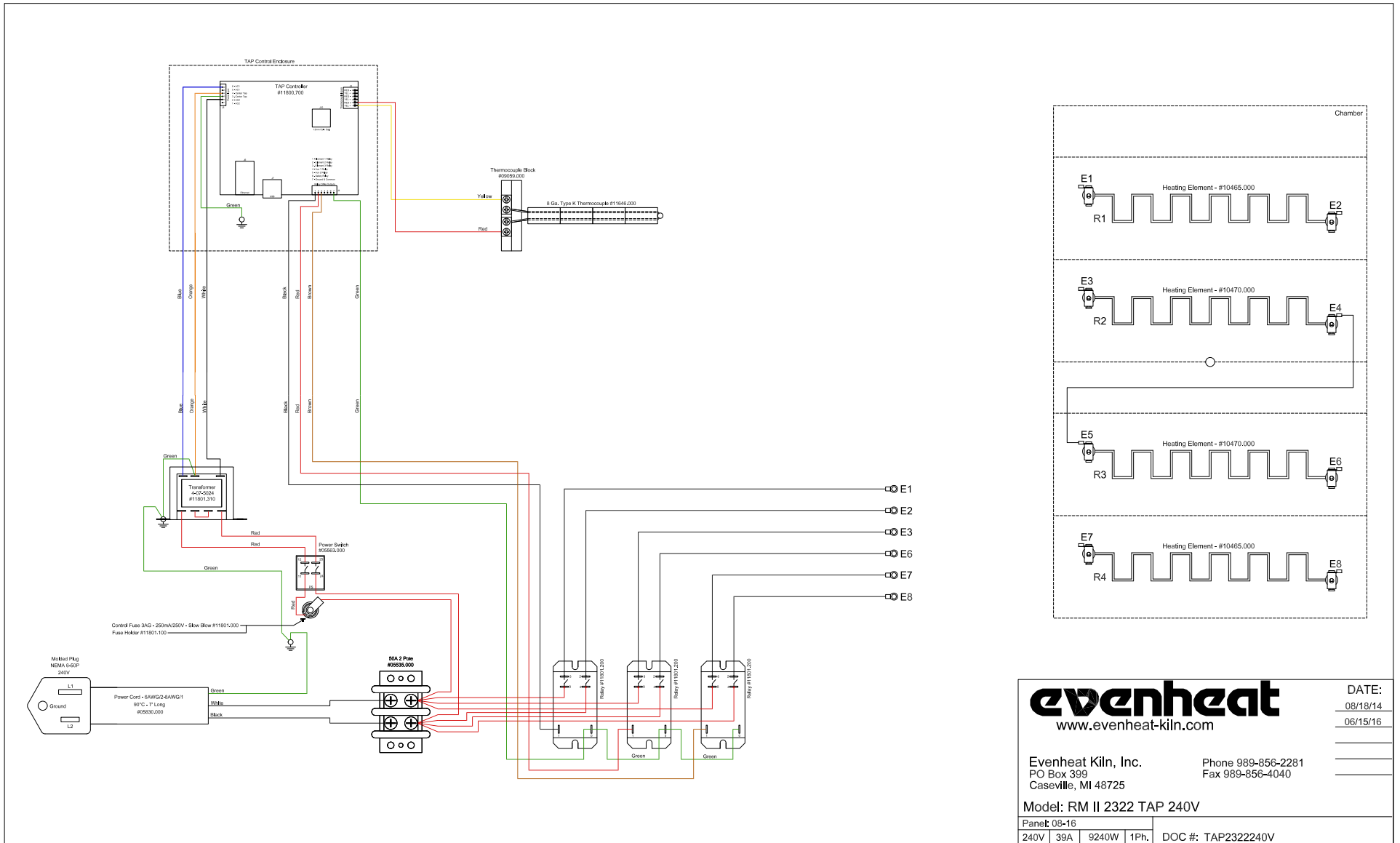
evenheat
www.evenheat-kiln.com

DATE: 11/11/20

Evenheat Kiln, Inc. Phone 989-856-2281
PO Box 399 Caseville, MI 48725 Fax 989-856-4040

Model: RM II 2322 Gen2 SS 240V

Panel: 08-16	
240V	39A 9240W 1Ph. DOC #: GEN22322SS240V



Alternate Solid State Relay Wiring

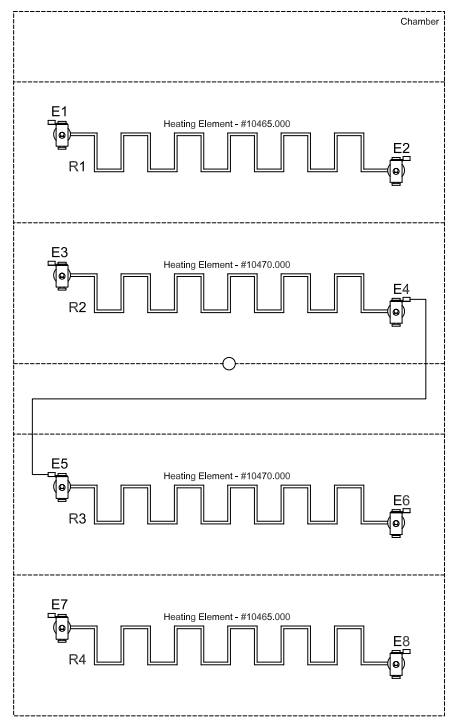
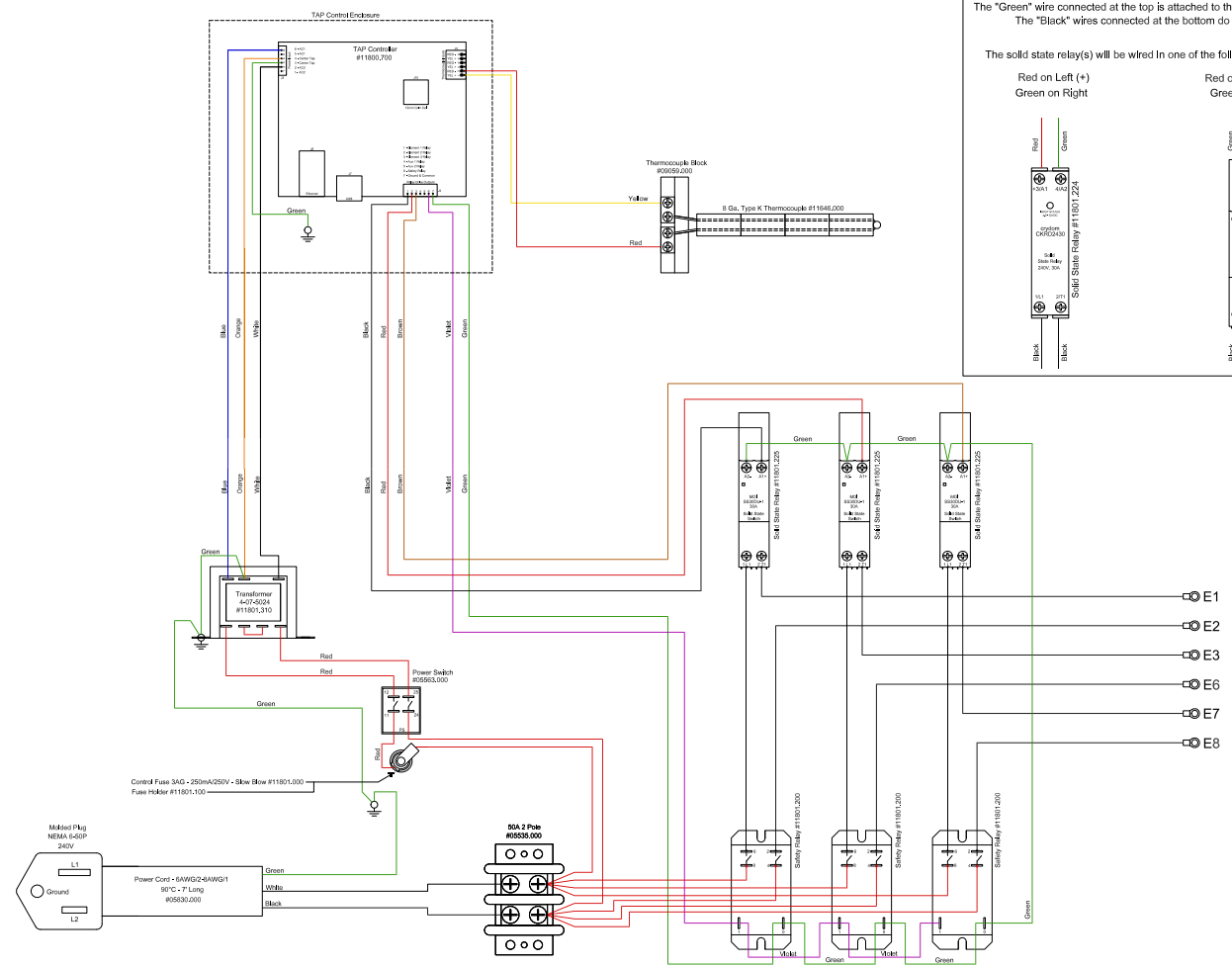
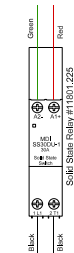
The "Red" wire connected at the top is always attached to the "+" terminal
 The "Green" wire connected at the top is attached to the opposite terminal
 The "Black" wires connected at the bottom do not change

The solid state relay(s) will be wired in one of the following two ways

Red on Left (+)
 Green on Right



Red on Right (+)
 Green on Left



evenheat
 www.evenheat-kiln.com

DATE:
 08/18/14
 06/15/16

Evenheat Kiln, Inc. Phone 989-856-2281
 PO Box 399 Fax 989-856-4040
 Caseville, MI 48725

Model: RM II 2322 TAP SS 240V

Panel: 08-16	
240V	39A 9240W 1Ph. DOC #: TAP2322SS240V