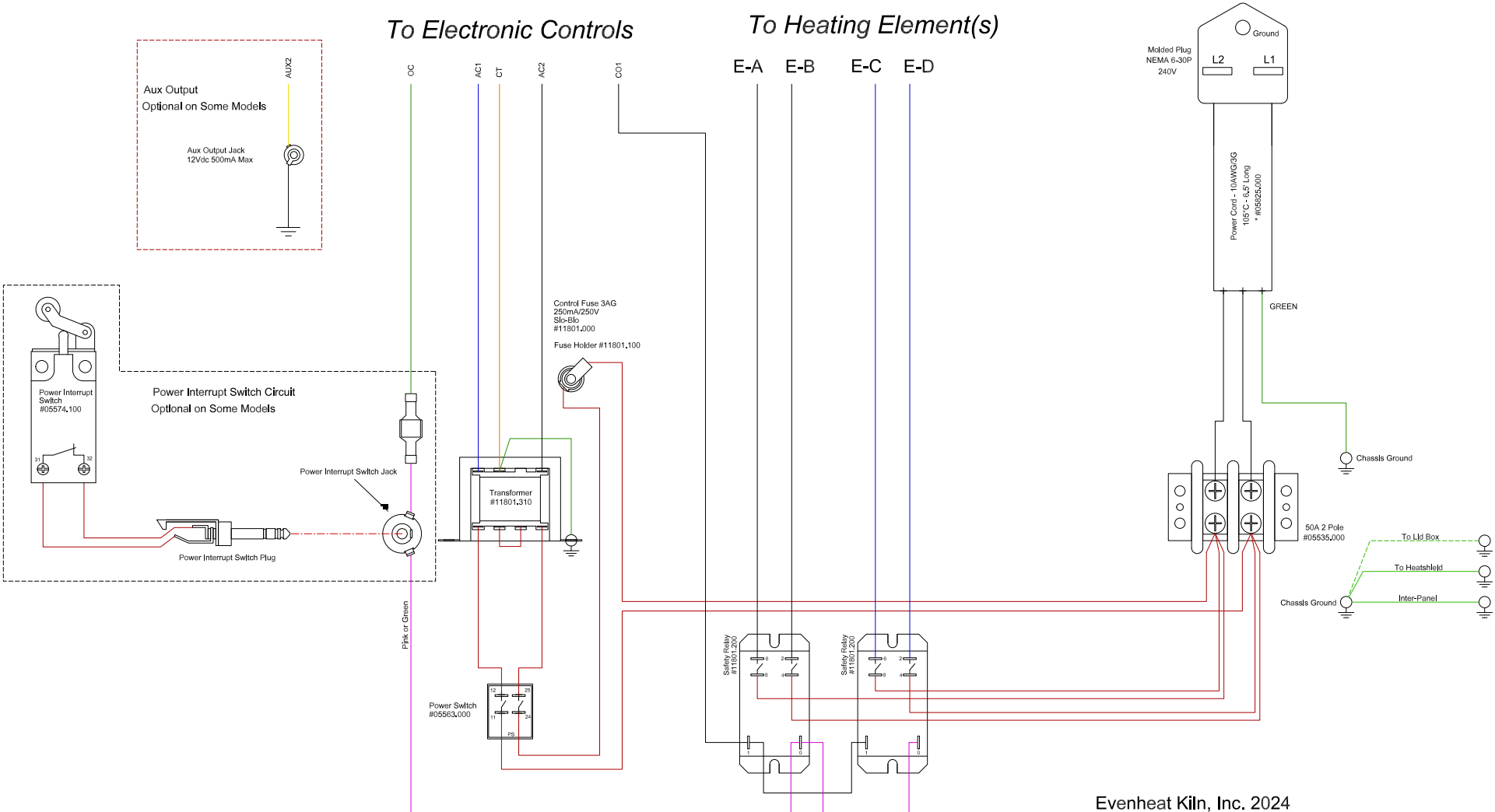


ECP-MR2/A1-3111-000

Driver: Mechanical Relay

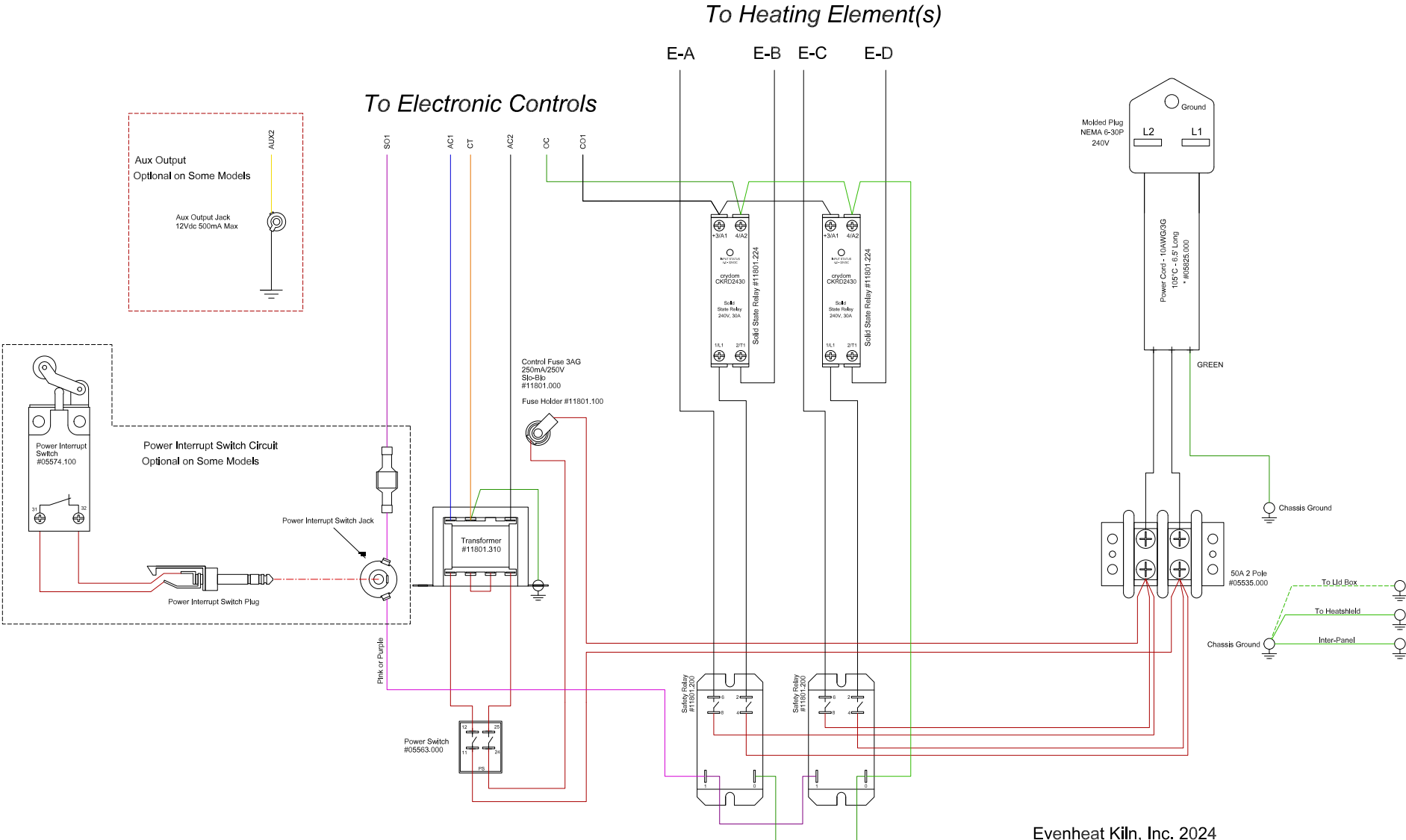
GTS 18



ECP-SS2/A1-3111-000

Driver: Solid State Relay

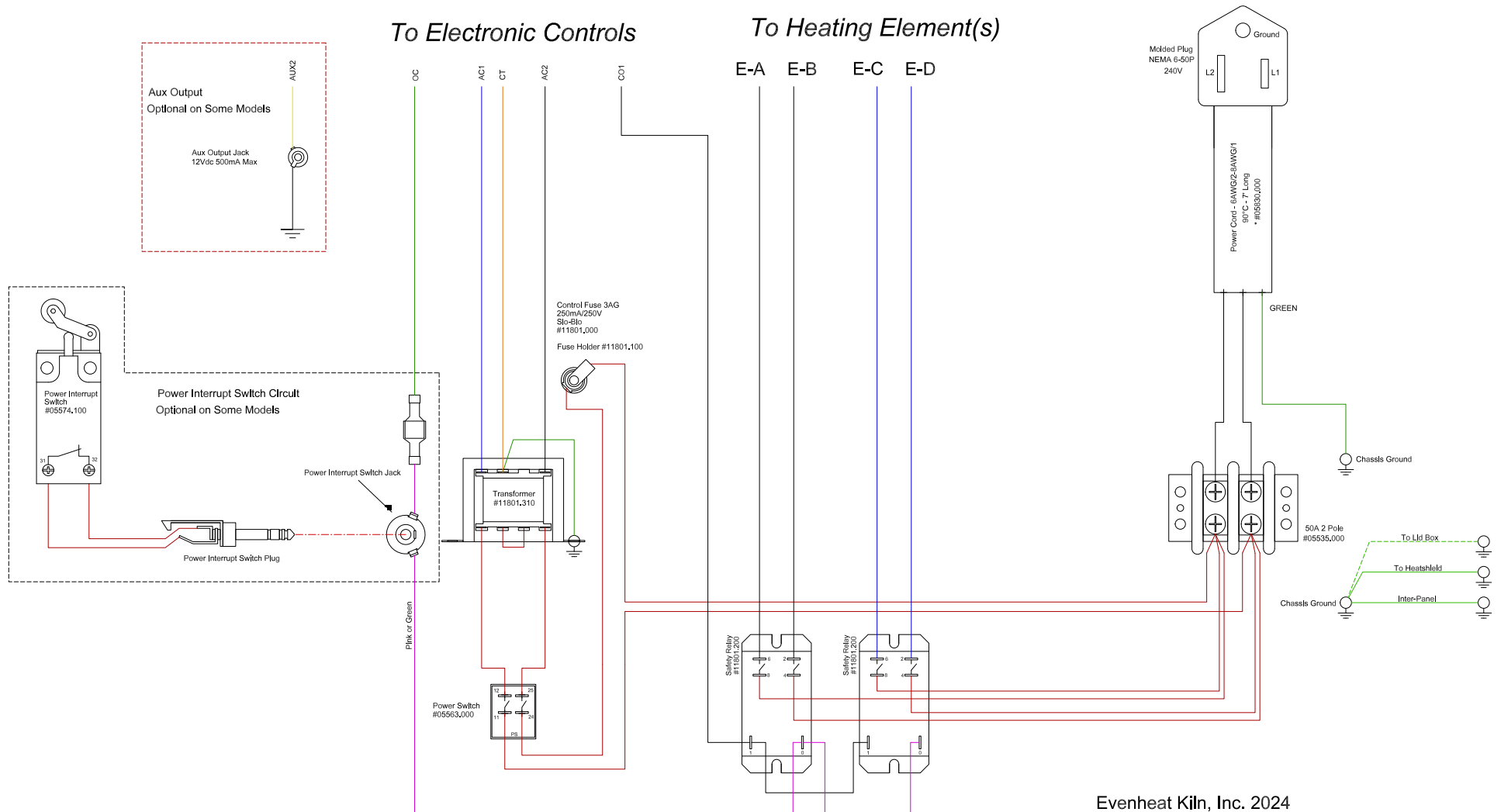
GTS 18



ECP-MR2/A1-4111-000

Driver: Mechanical Relay

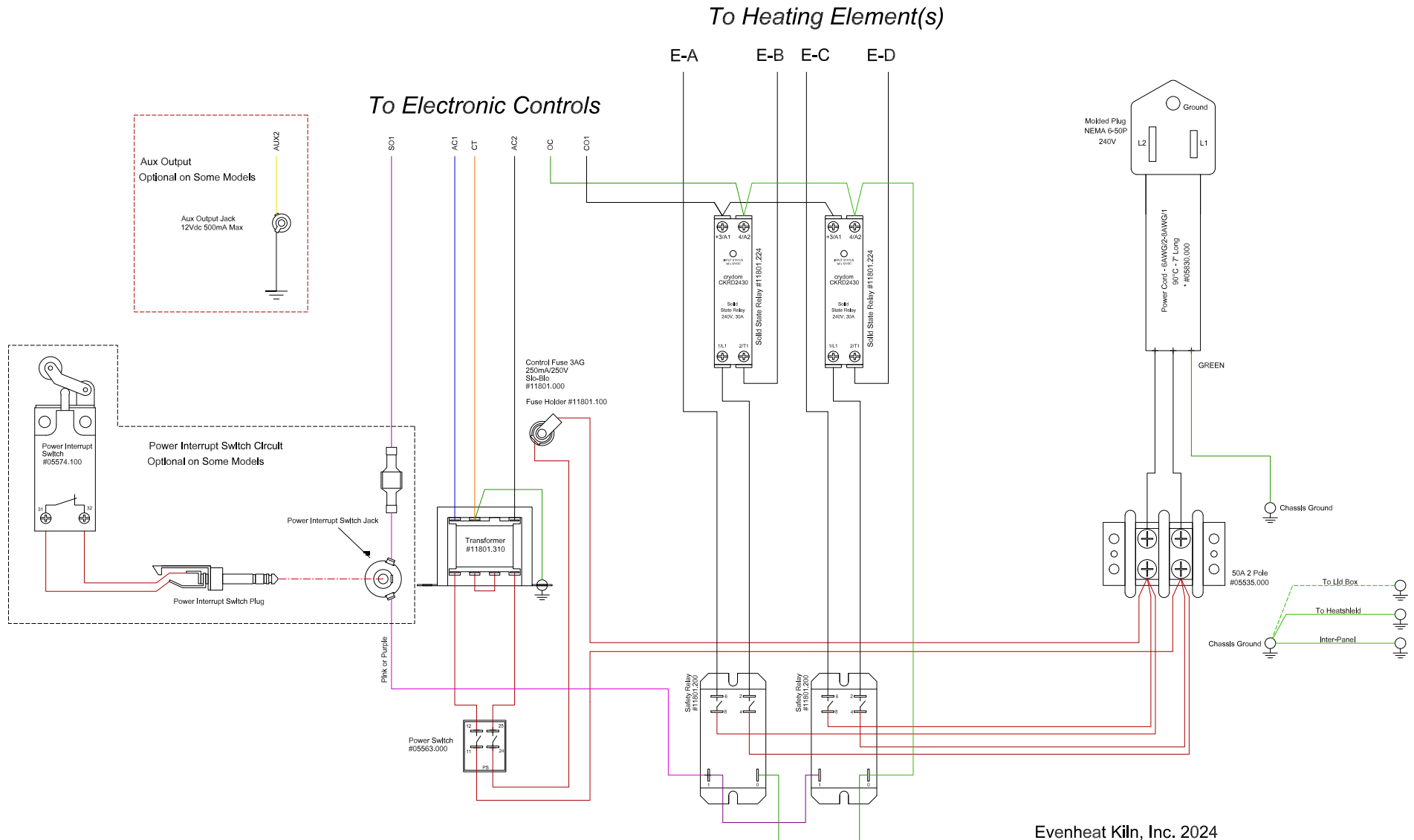
GTS 23



ECP-SS2/A1-4111-000

Driver: Solid State Relay

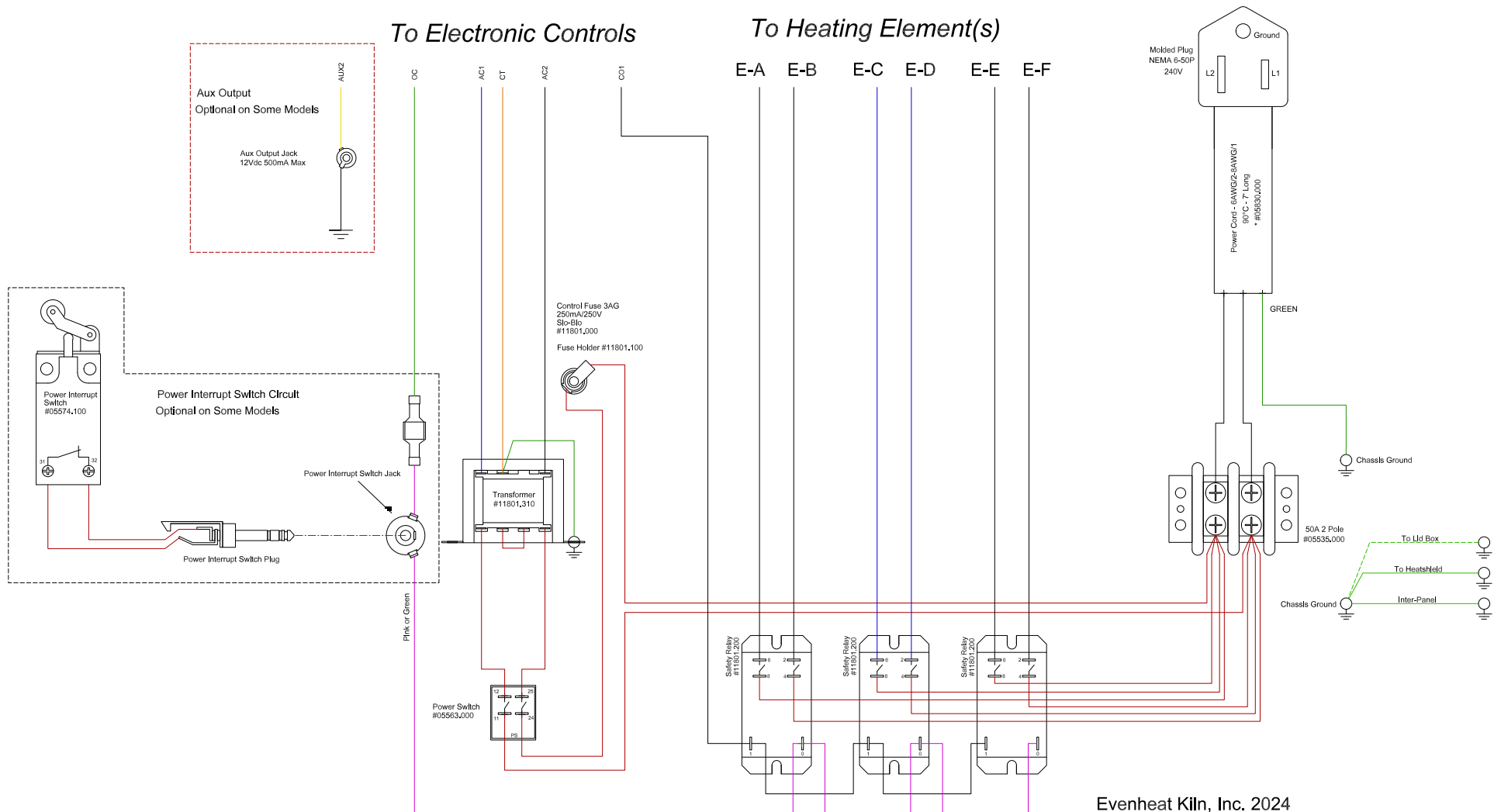
GTS 23



ECP-MR3/A1-4111-000

Driver: Mechanical Relay

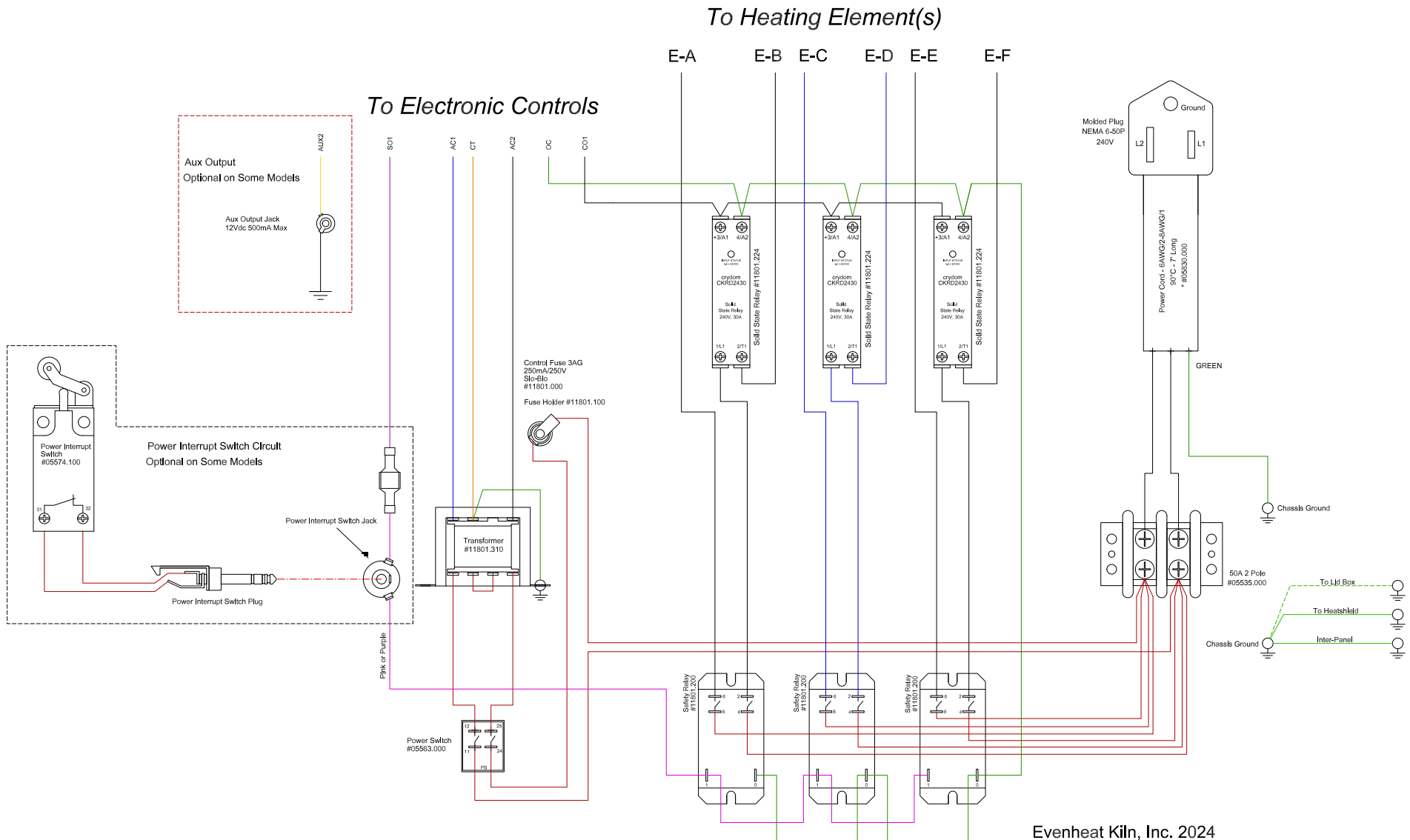
GTS 24, GTS 28, GTS 41 & GTS 2541



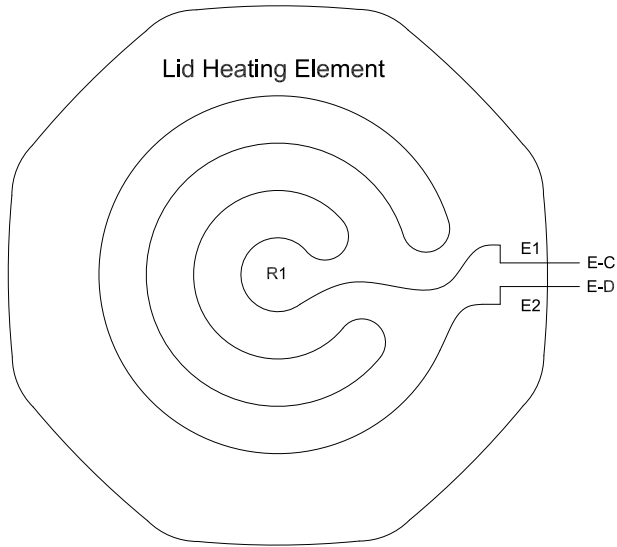
ECP-SS3/A1-4111-000

Driver: Solid State Relay

GTS 24, GTS 28, GTS 41, GTS 2541

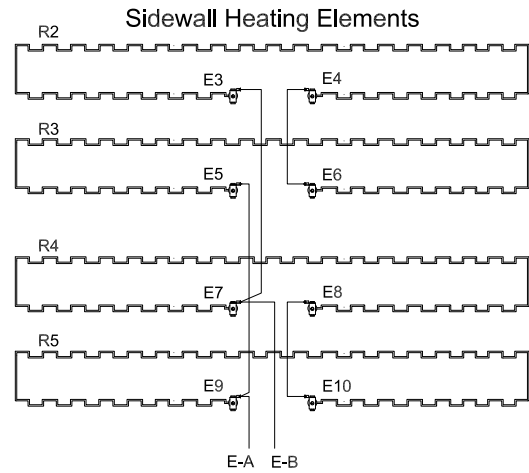


GTS 18 HEATING ELEMENT DIAGRAM



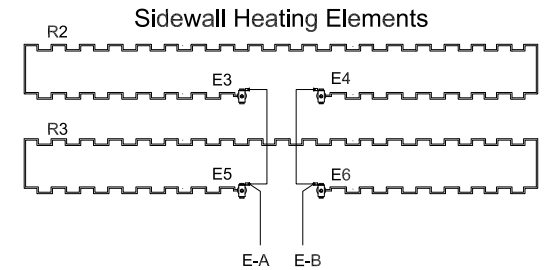
Serial #125356 and Above

240V SINGLE PHASE
 Lid Element - R1 #00081.000
 Sidewall Elements - R2 thru R5 #00083.010

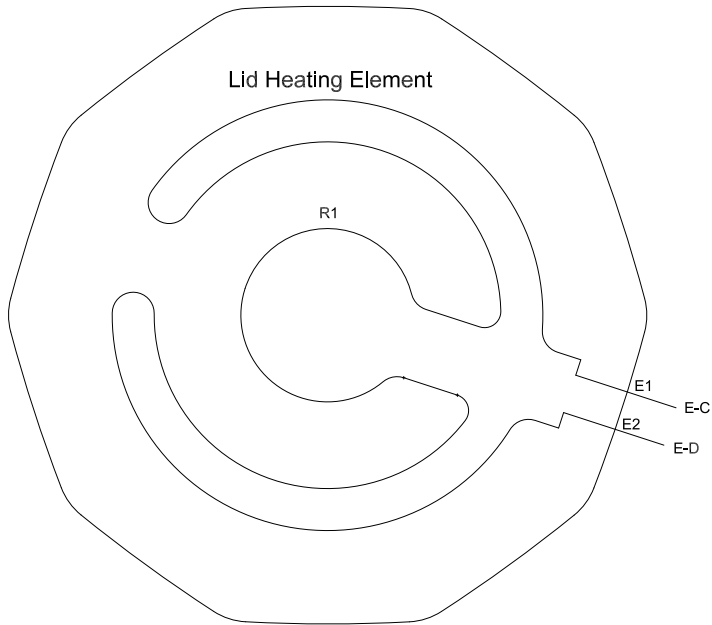


Serial #125355 and Below

240V SINGLE PHASE
 Lid Element - R1 #00081.000
 Sidewall Elements - R2 and R3 #00083.000

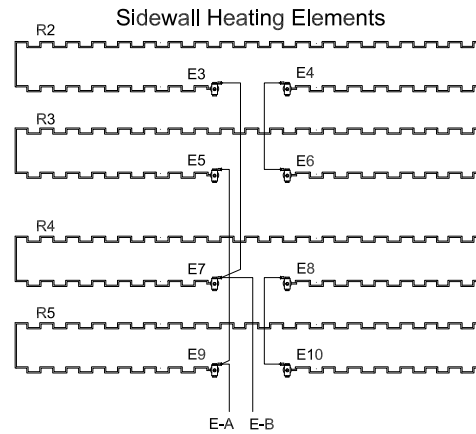


GTS 23 HEATING ELEMENT DIAGRAM



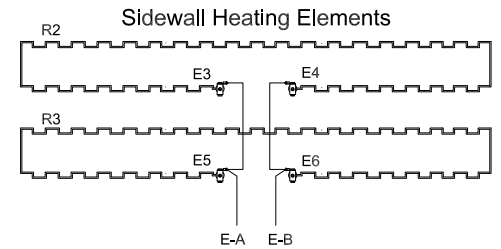
Serial #125356 and Above

240V SINGLE PHASE
 Lid Element - R1 #00086.000
 Sidewall Elements - R2 thru R5 #00088.010



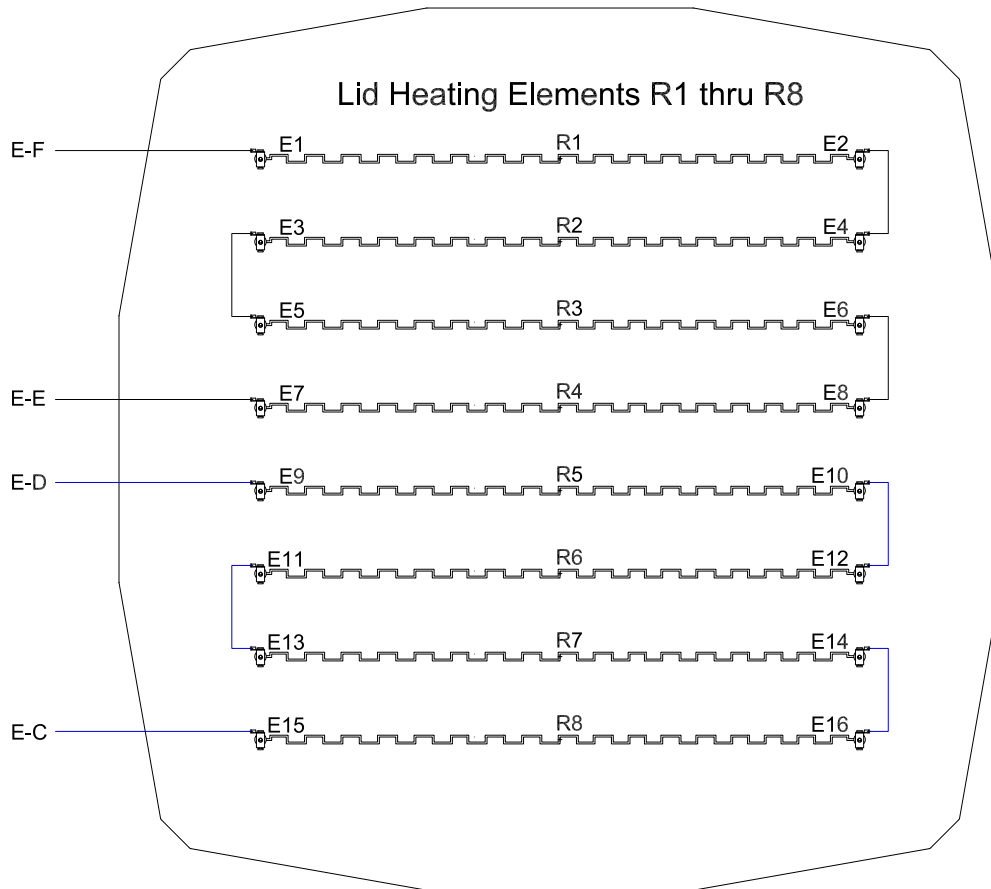
Serial #125355 and Below

240V SINGLE PHASE
 Lid Element - R1 #00086.000
 Sidewall Elements - R2 and R3 #00088.000



GTS 24 HEATING ELEMENT DIAGRAM

LID FRONT - TOP VIEW



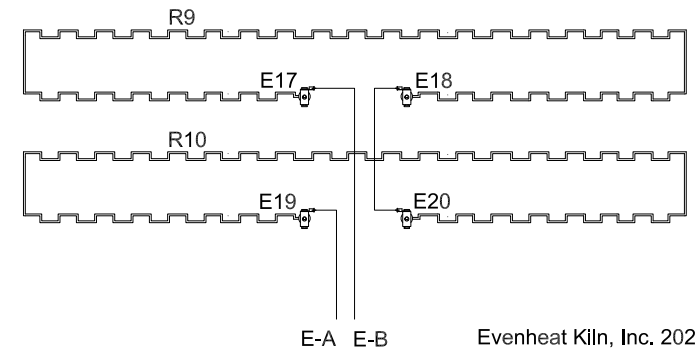
220V/230V/240V SINGLE PHASE
 220V/230V/240V 3 PHASE (DELTA)
 380V/400V/415V (3 PHASE WYE)

Lid Elements - R1 thru R8 #00107.000
 Sidewall Elements - R9 and R10 #00107.101

200V/208V SINGLE PHASE
 200V/208V 3 PHASE (DELTA)

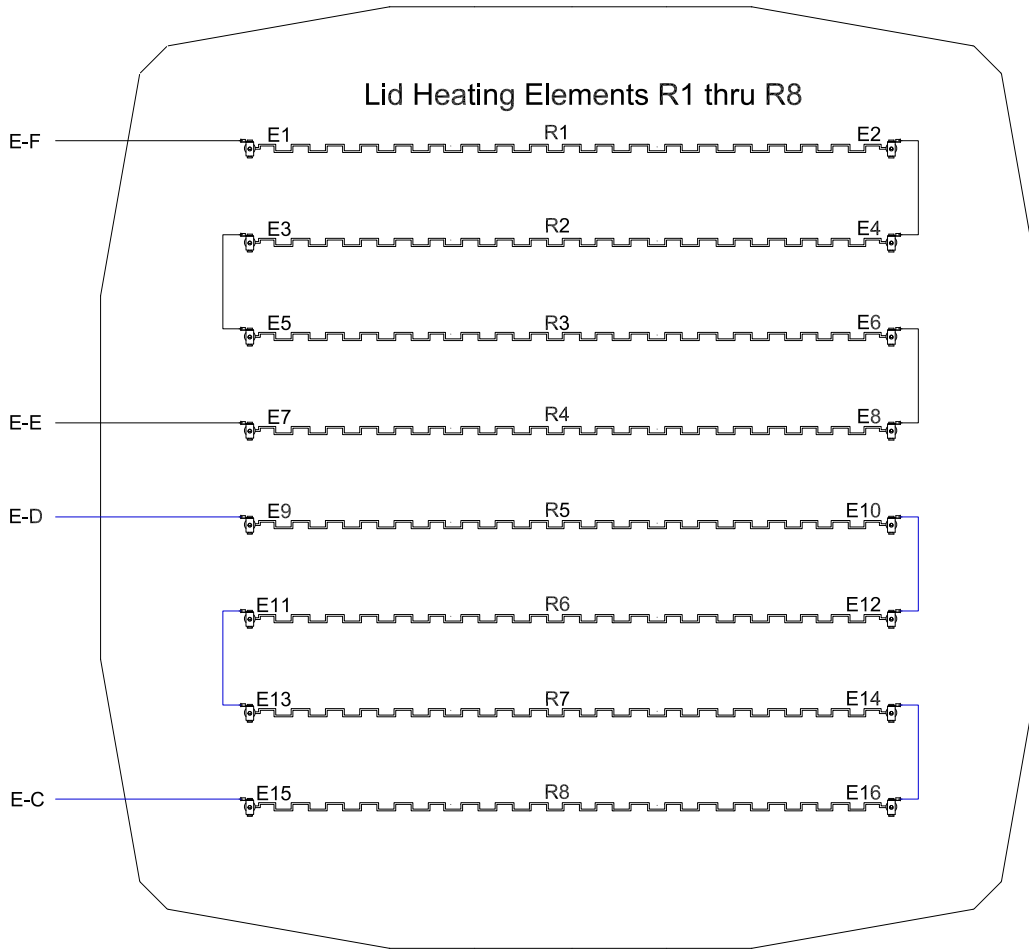
Lid Elements - R1 thru R8 #00107.010
 Sidewall Elements - R9 and R10 #00107.111

Sidewall Heating Elements R9 and R10



GTS 28 HEATING ELEMENT DIAGRAM

LID FRONT - TOP VIEW



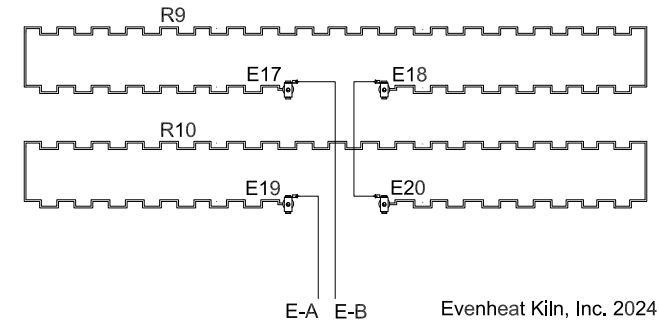
220V/230V/240V SINGLE PHASE
 220V/230V/240V 3 PHASE (DELTA)
 380V/400V/415V (3 PHASE WYE)

Lid Elements - R1 thru R8 #00107.500
 Sidewall Elements - R9 and R10 #00107.513

208V SINGLE PHASE
 208V 3 PHASE (DELTA)

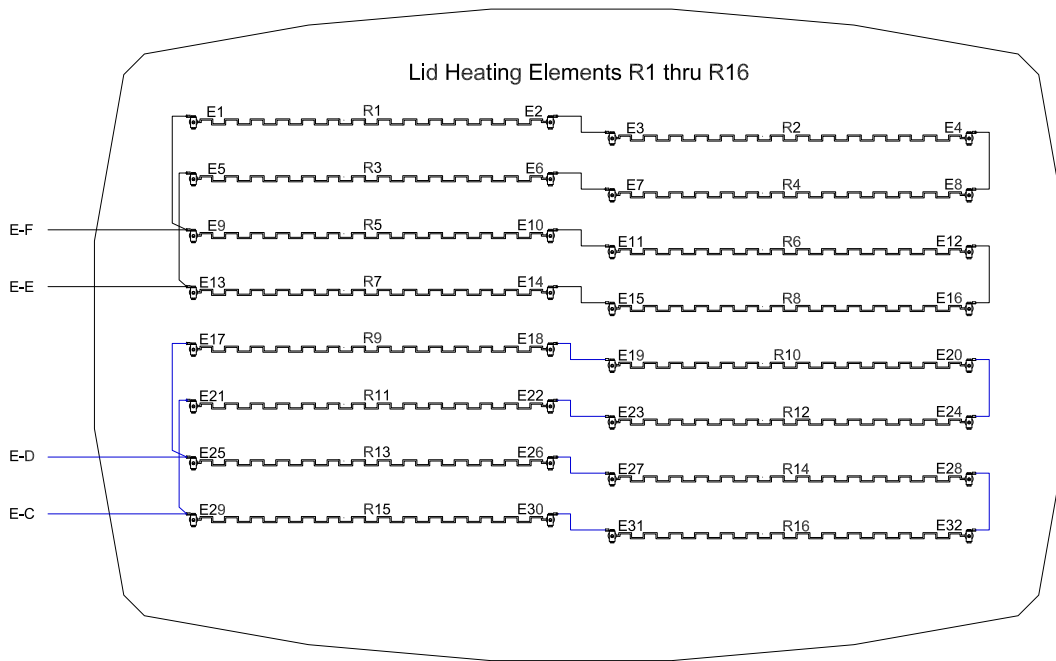
Lid Elements - R1 thru R8 #00107.515
 Sidewall Elements - R9 and R10 #00107.525

Sidewall Heating Elements R9 and R10



GTS 41 HEATING ELEMENT DIAGRAM

LID FRONT - TOP VIEW

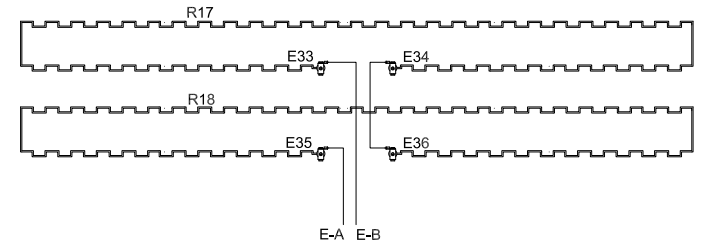


Serial #125627 and Above

230V/240V SINGLE PHASE
 230V/240V 3 PHASE (DELTA)
 400V/415V (3 PHASE WYE)

Lid Elements - R1 thru R16 #00108.000
 Sidewall Elements - R17 and R18 #00108.101

Sidewall Heating Elements R17 and R18

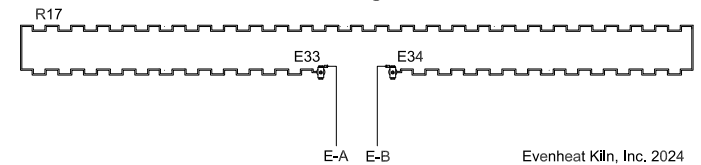


Serial #125626 and Below

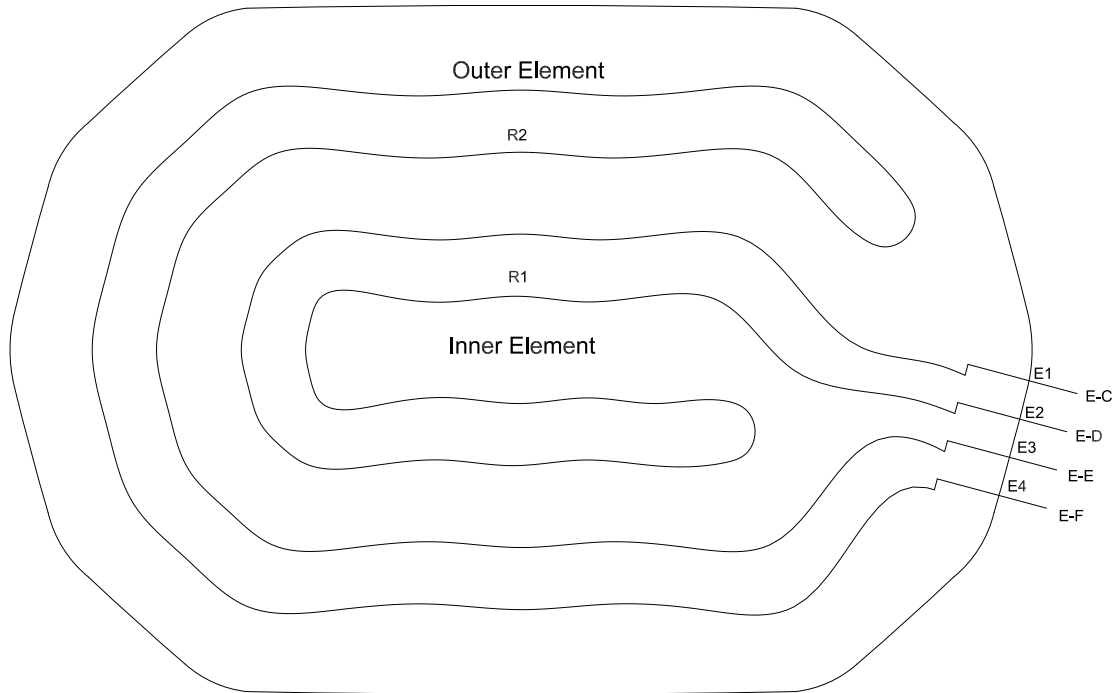
230V/240V SINGLE PHASE
 230V/240V 3 PHASE (DELTA)
 400V/415V (3 PHASE WYE)

Lid Elements - R1 thru R16 #00108.000
 Sidewall Elements - R17 #00108.100

Sidewall Heating Elements

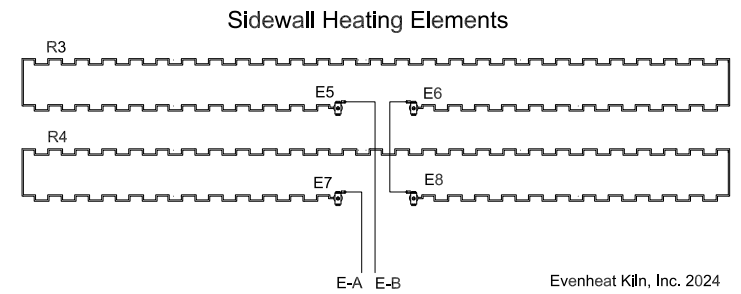


GTS 2541 HEATING ELEMENT DIAGRAM



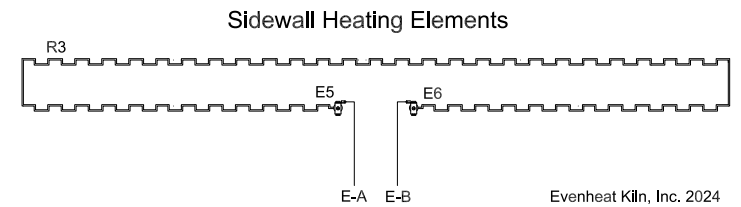
Serial #125356 and Above

240V SINGLE PHASE
 Lid Element Inner - R1 #00091.000
 Lid Element Outer - R2 #00091.100
 Sidewall Elements - R3 and R4 #00093.010

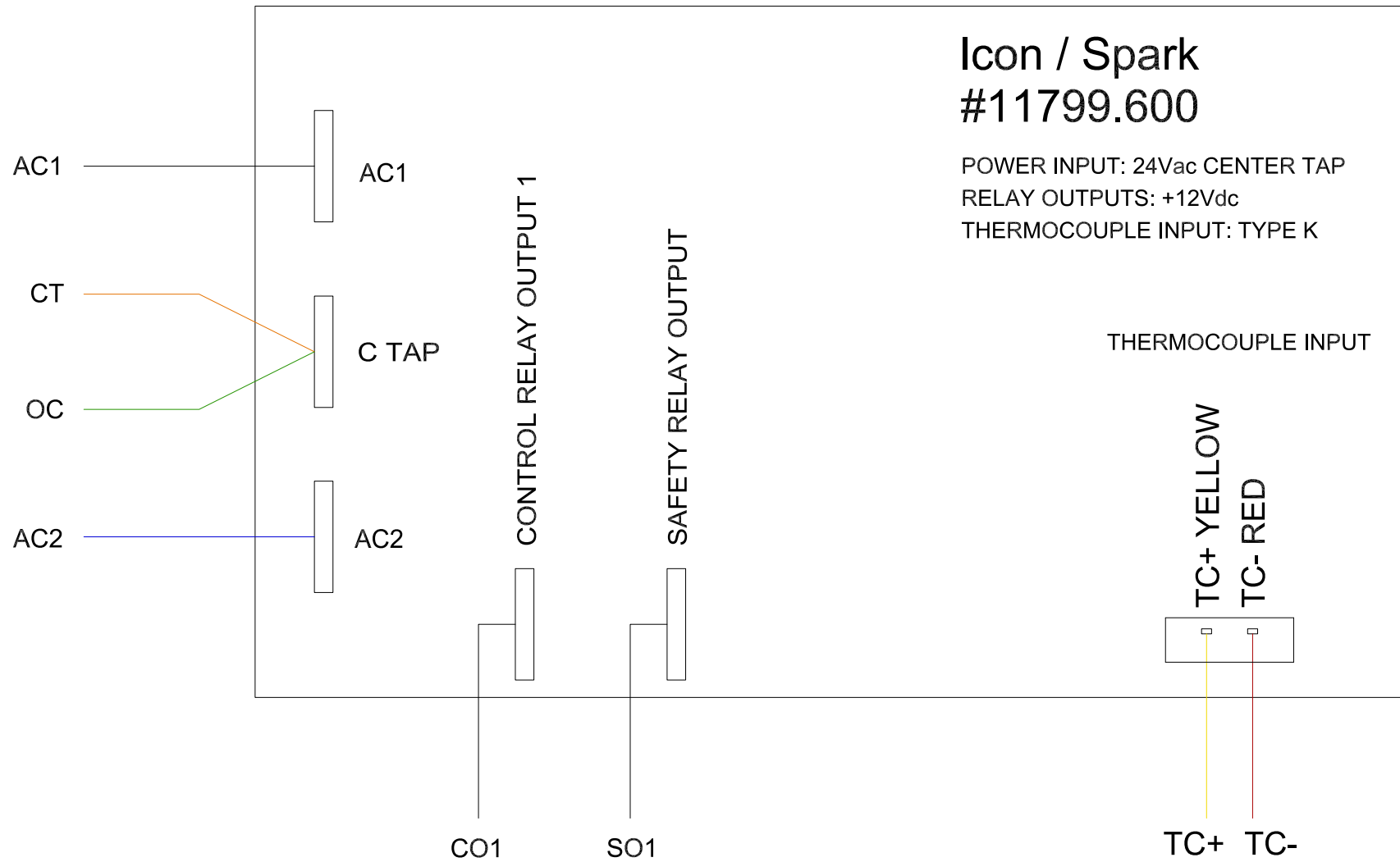


Serial #125355 and Below

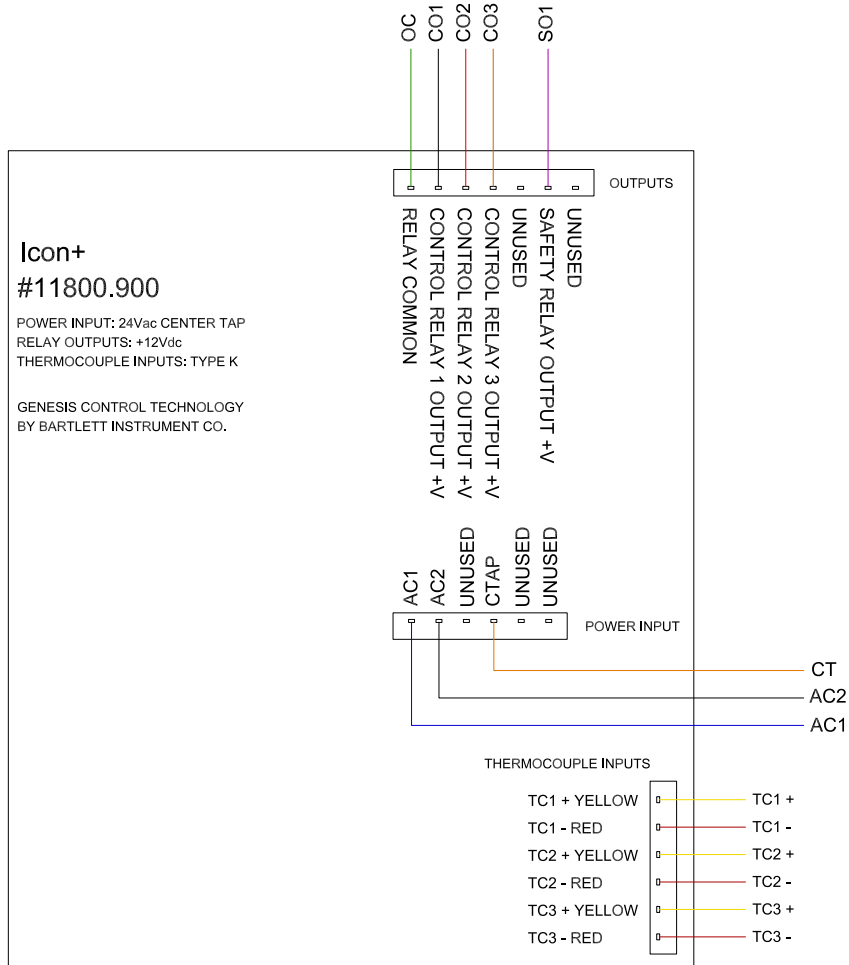
240V SINGLE PHASE
 Lid Element Inner - R1 #00091.000
 Lid Element Outer - R2 #00091.100
 Sidewall Elements - R3 #00093.000



Icon Electronic Controls

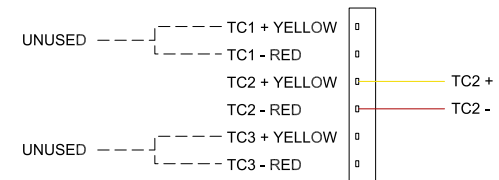


Icon+ Electronic Controls

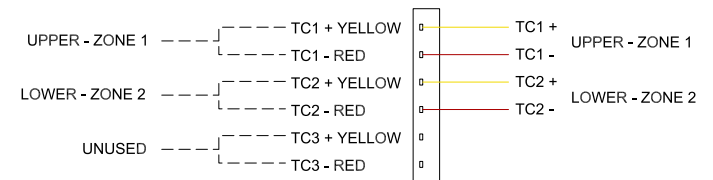


Evenheat Kiln, Inc. 2024

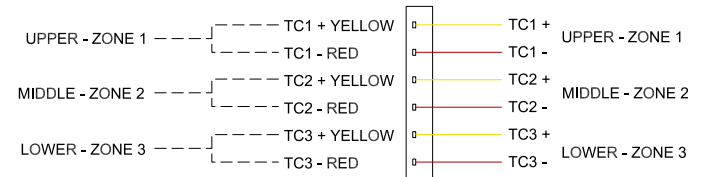
Single Thermocouple Connection



2 Thermocouple "Multi-Zone" Thermocouple Connections *

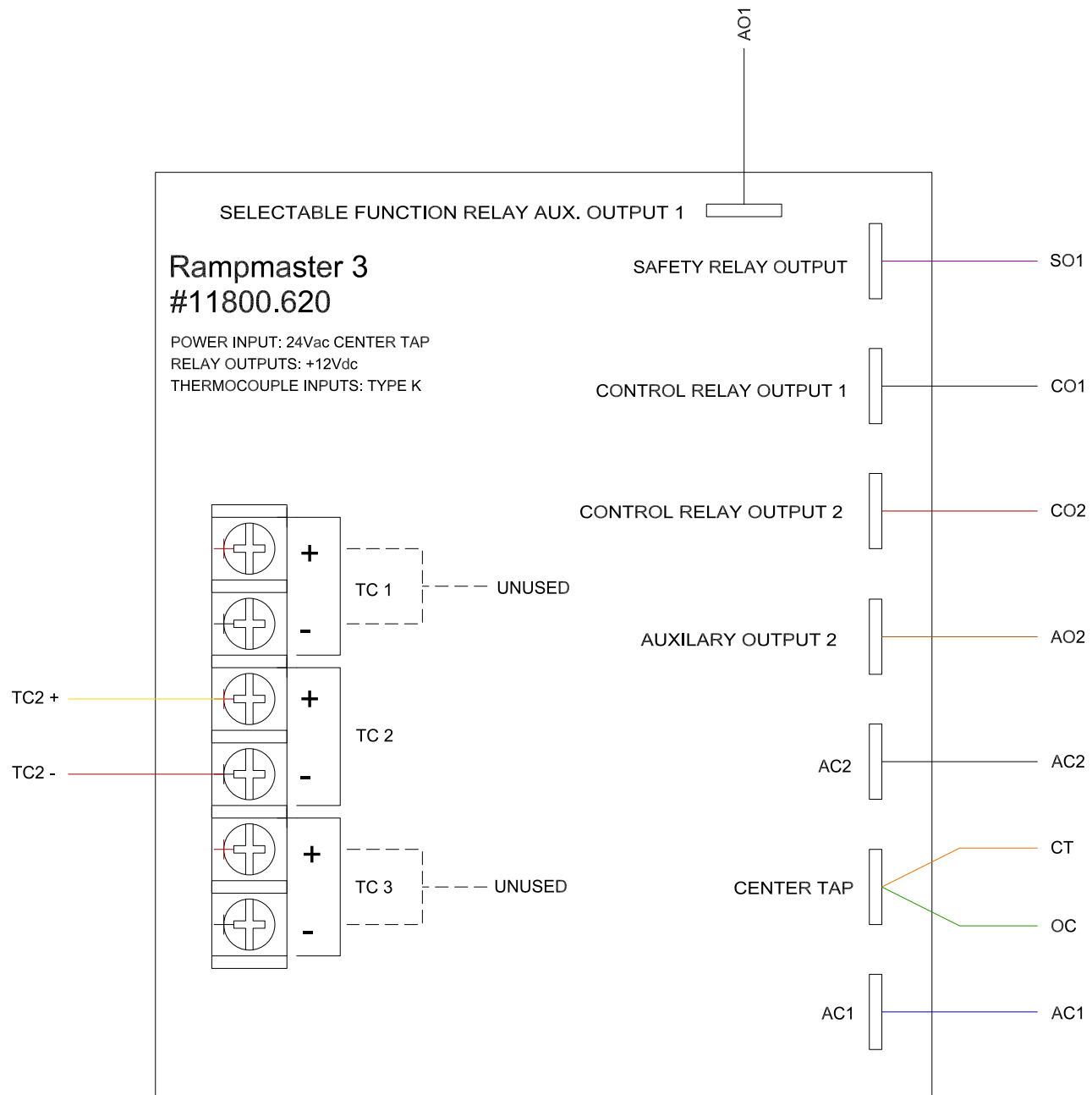


3 Thermocouple "Multi-Zone" Thermocouple Connections *

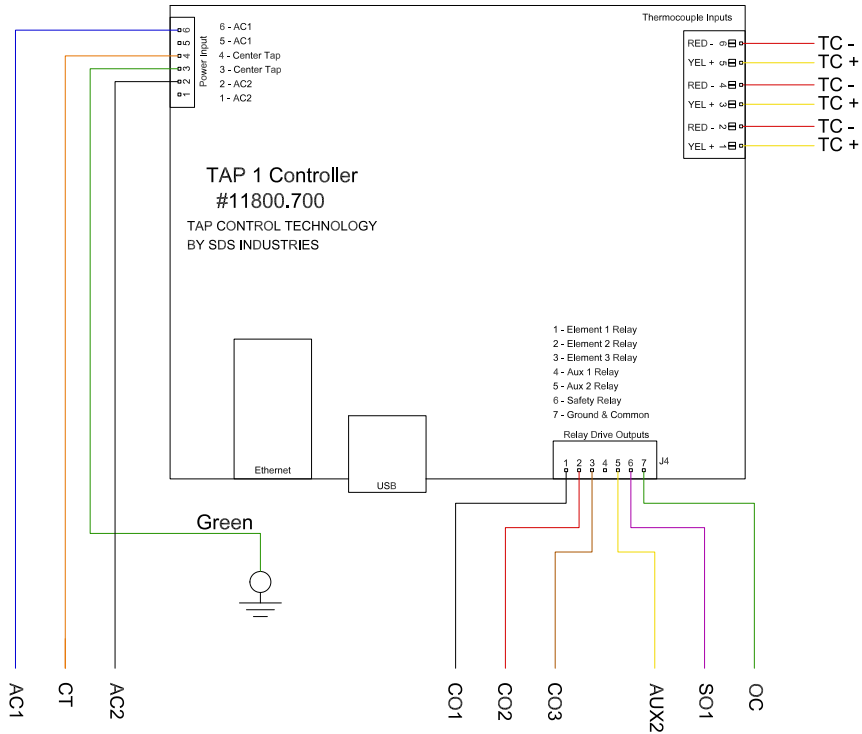


* Must Be Factory Configured For Multi-Zone Control

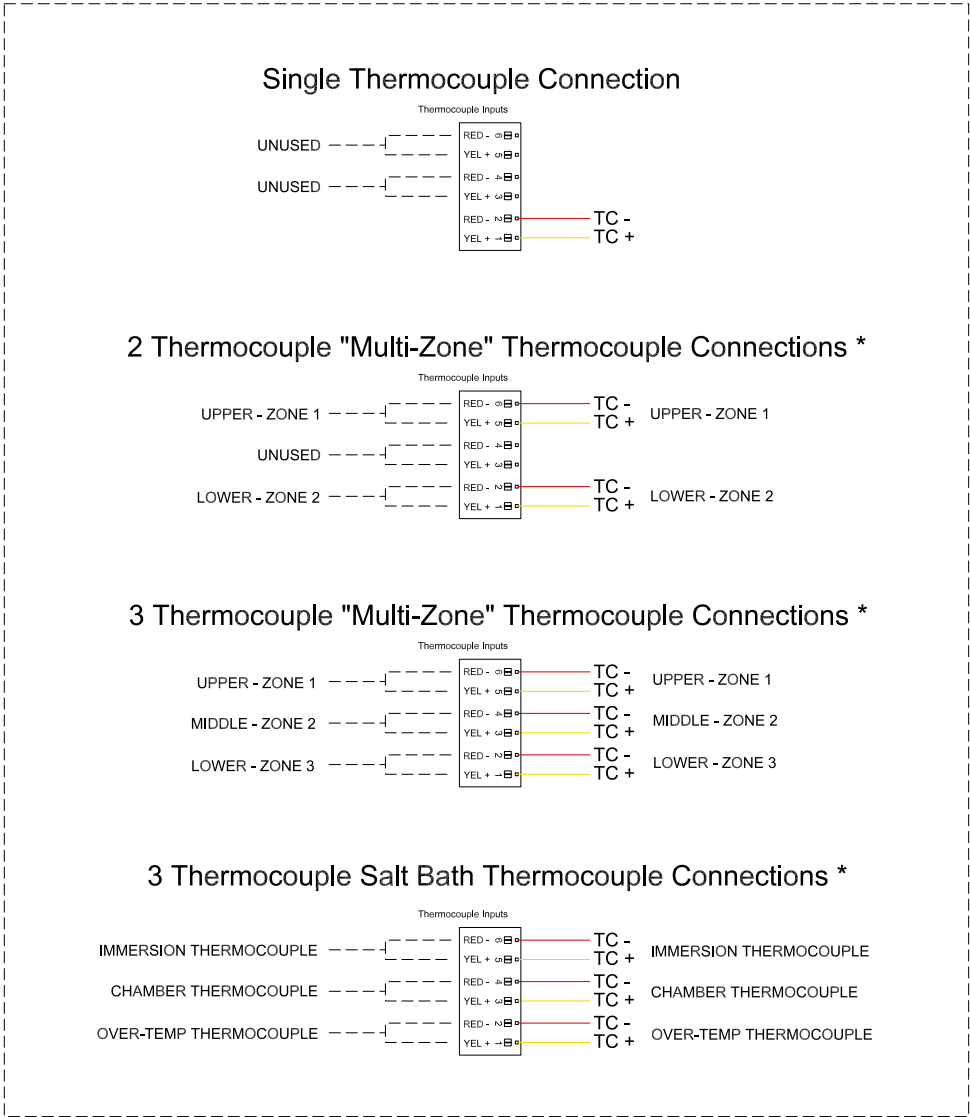
RM3 Electronic Controls



TAP I Electronic Controls



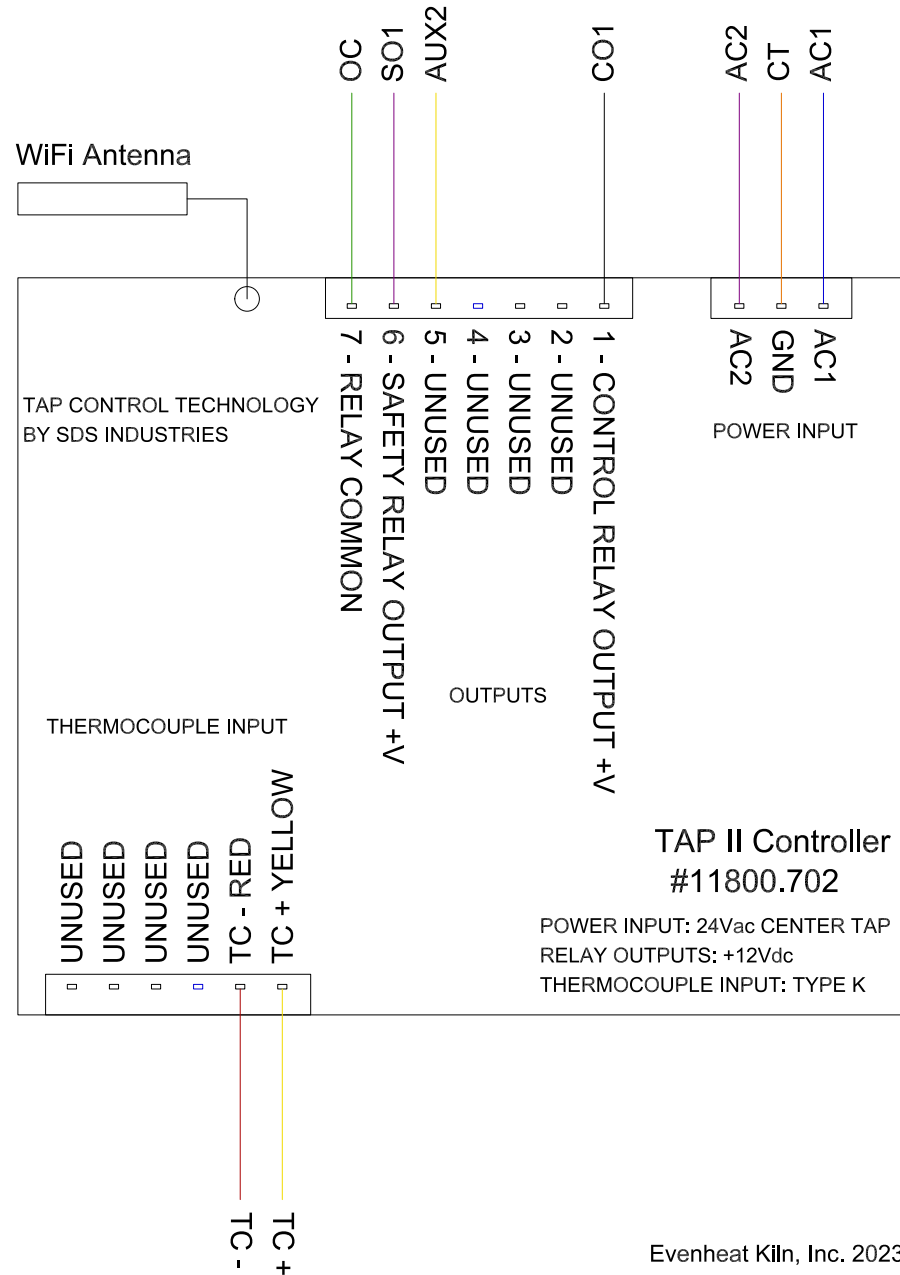
Evenheat Kiln, Inc. 2024



* Must Be Factory Configured For Multi-Zone Control

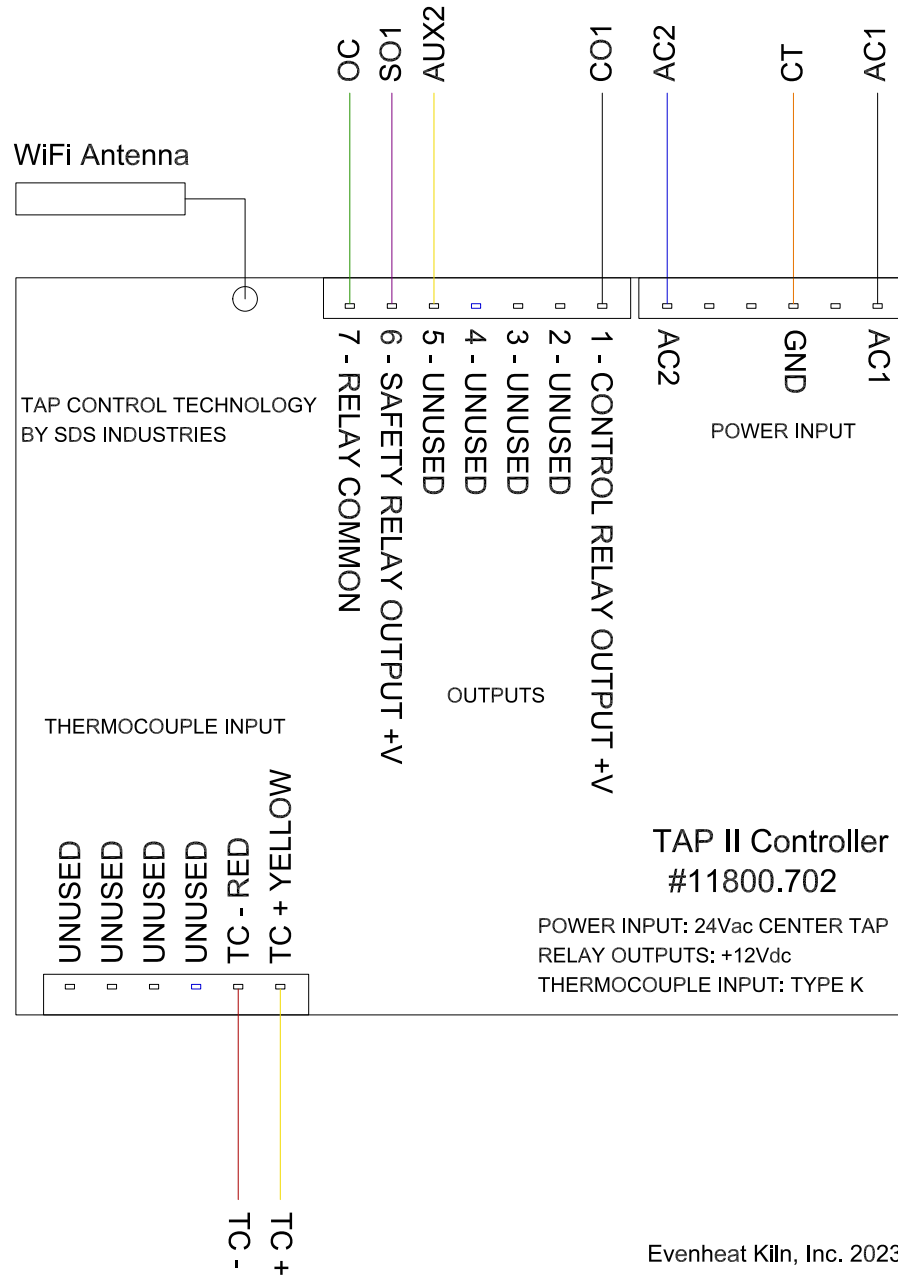
TAP II Electronic Controls

w/ 3 Pin Power Input



TAP II Electronic Controls

w/ 6 Pin Power Input



Sample Thermocouple Assembly

