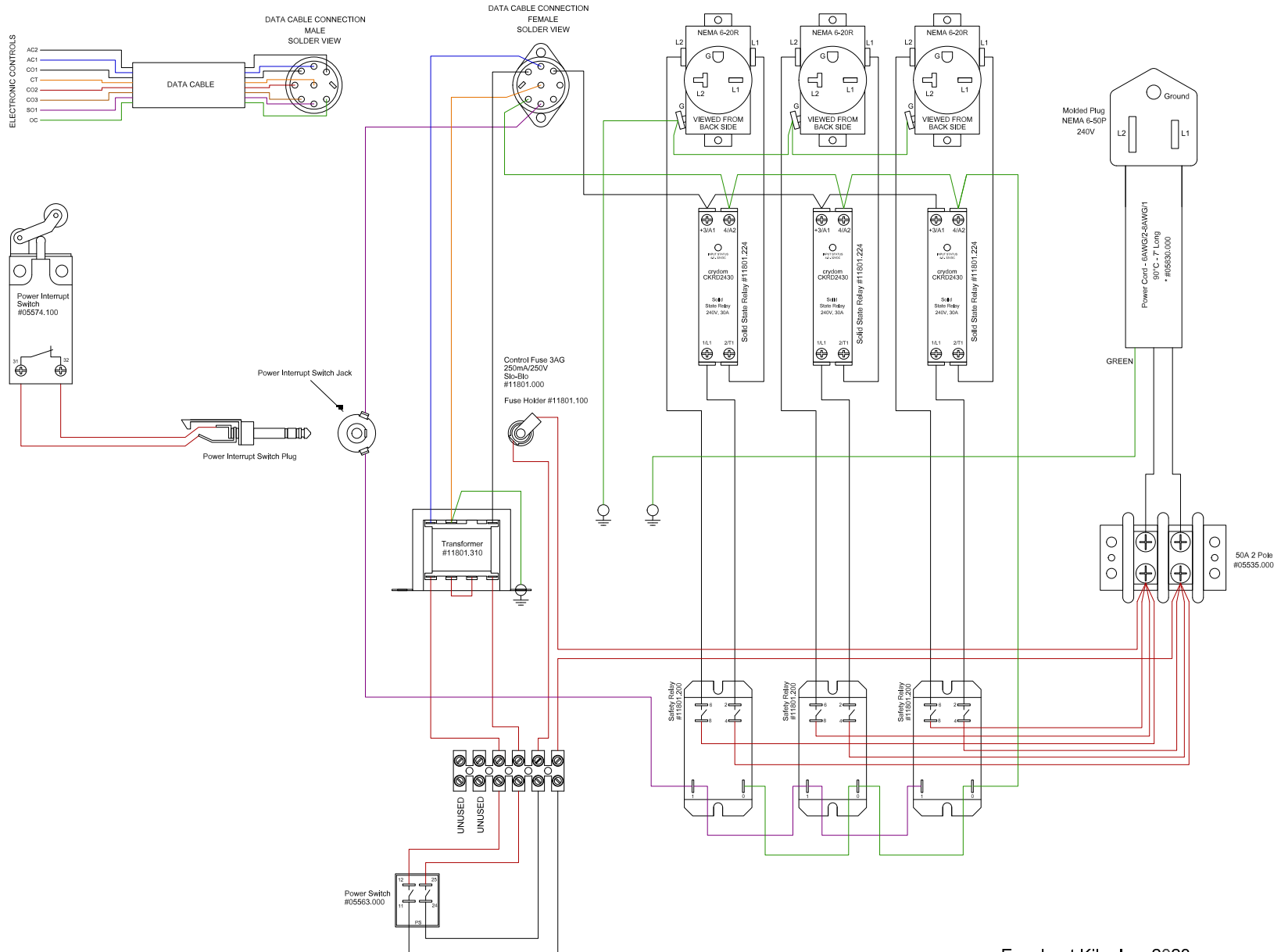


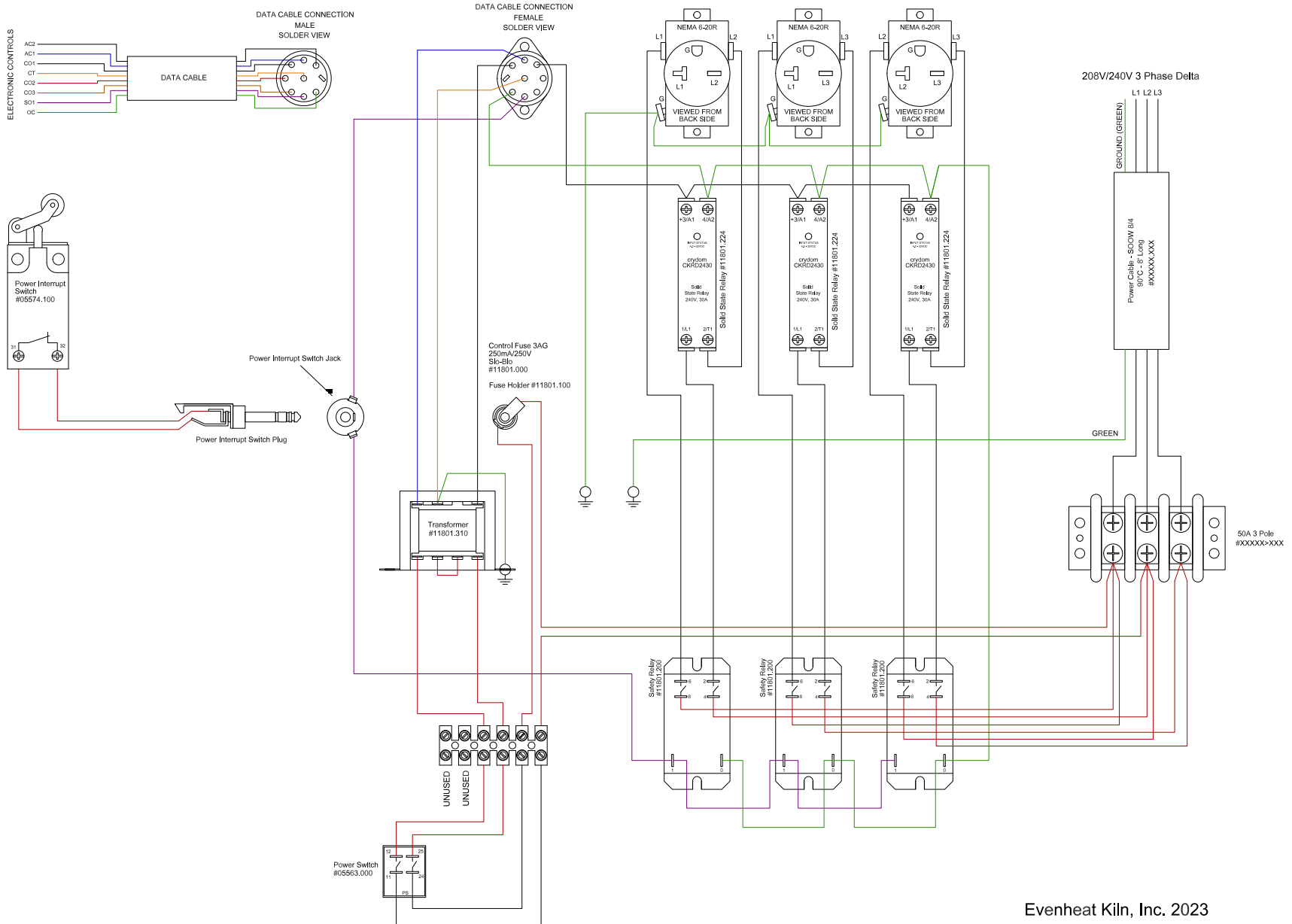
ECC-SS3/A1-116411-00

208V / 240V 1 Phase



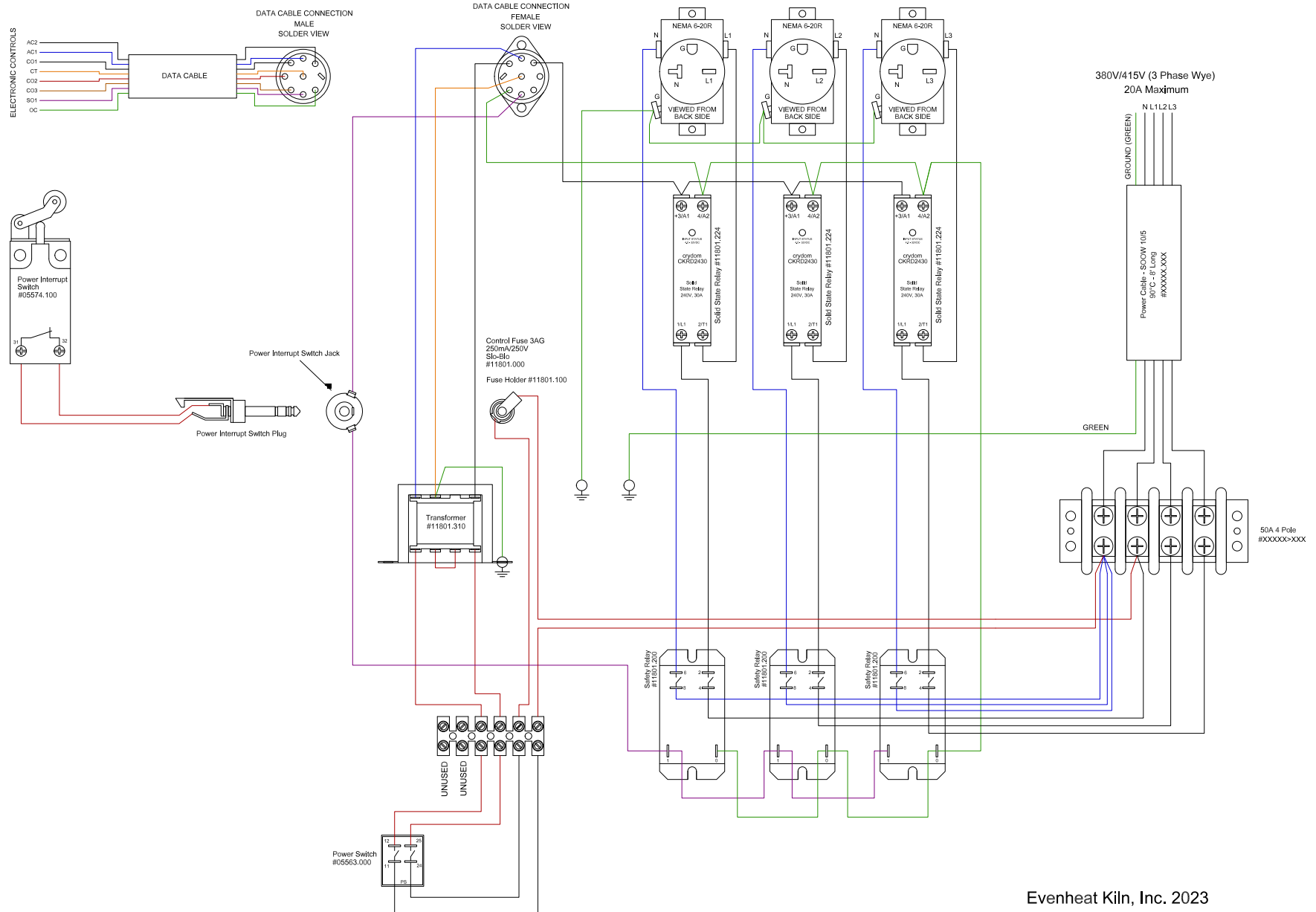
ECC-SS3/A3-116711-00

208V / 240V 3 Phase



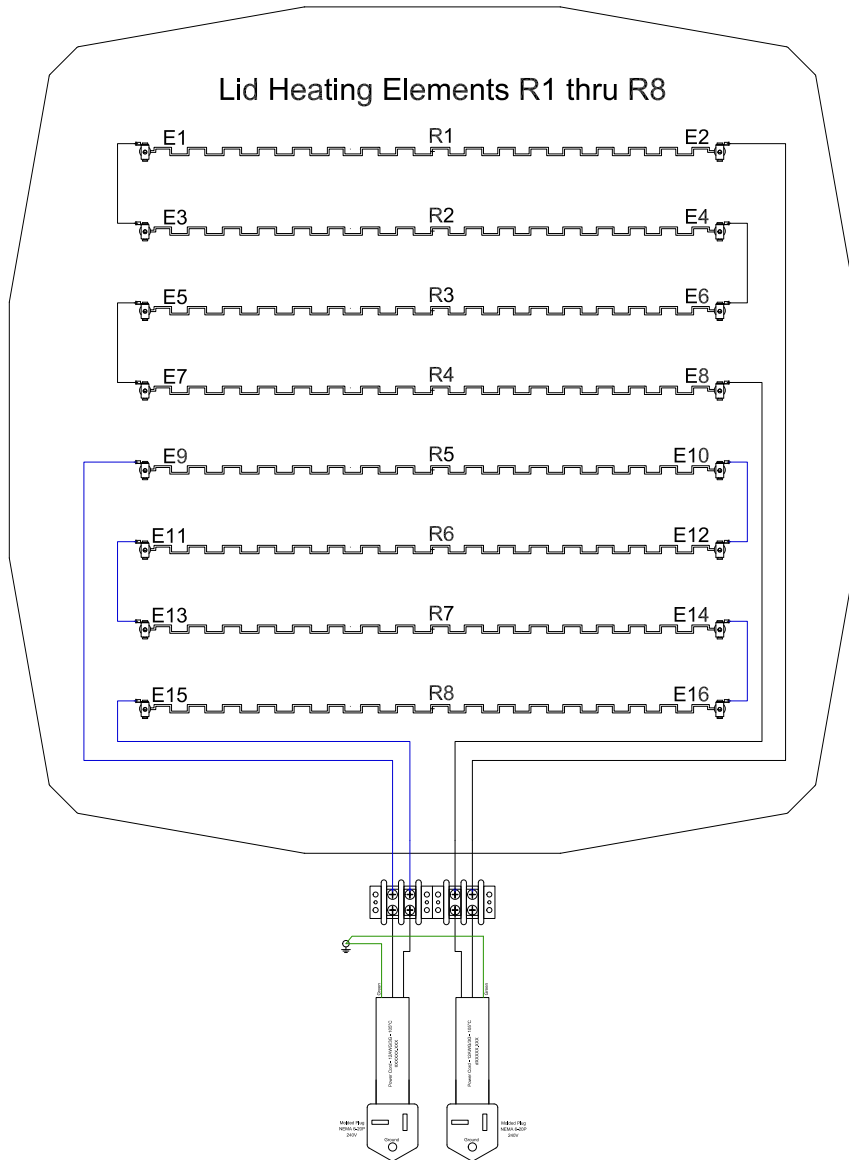
ECC-SS3/B4-116611-00

380V / 415V (3 Phase Wye)



Studio Pro 24 - G2 HEATING ELEMENT DIAGRAM

LID FRONT - TOP VIEW



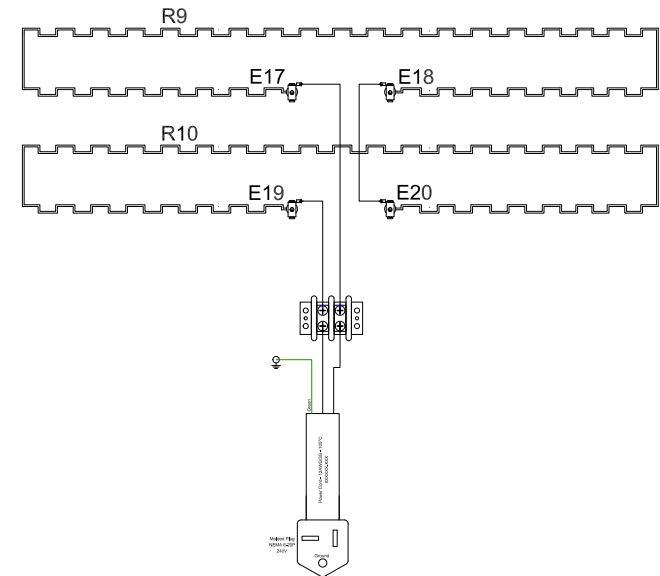
220V/230V/240V SINGLE PHASE
220V/230V/240V 3 PHASE (DELTA)
380V/400V/415V (3 PHASE WYE)

Lid Elements - R1 thru R8 #00107.000
Sidewall Elements - R9 and R10 #00107.101

200V/208V SINGLE PHASE
200V/208V 3 PHASE (DELTA)

Lid Elements - R1 thru R8 #00107.010
Sidewall Elements - R9 and R10 #00107.111

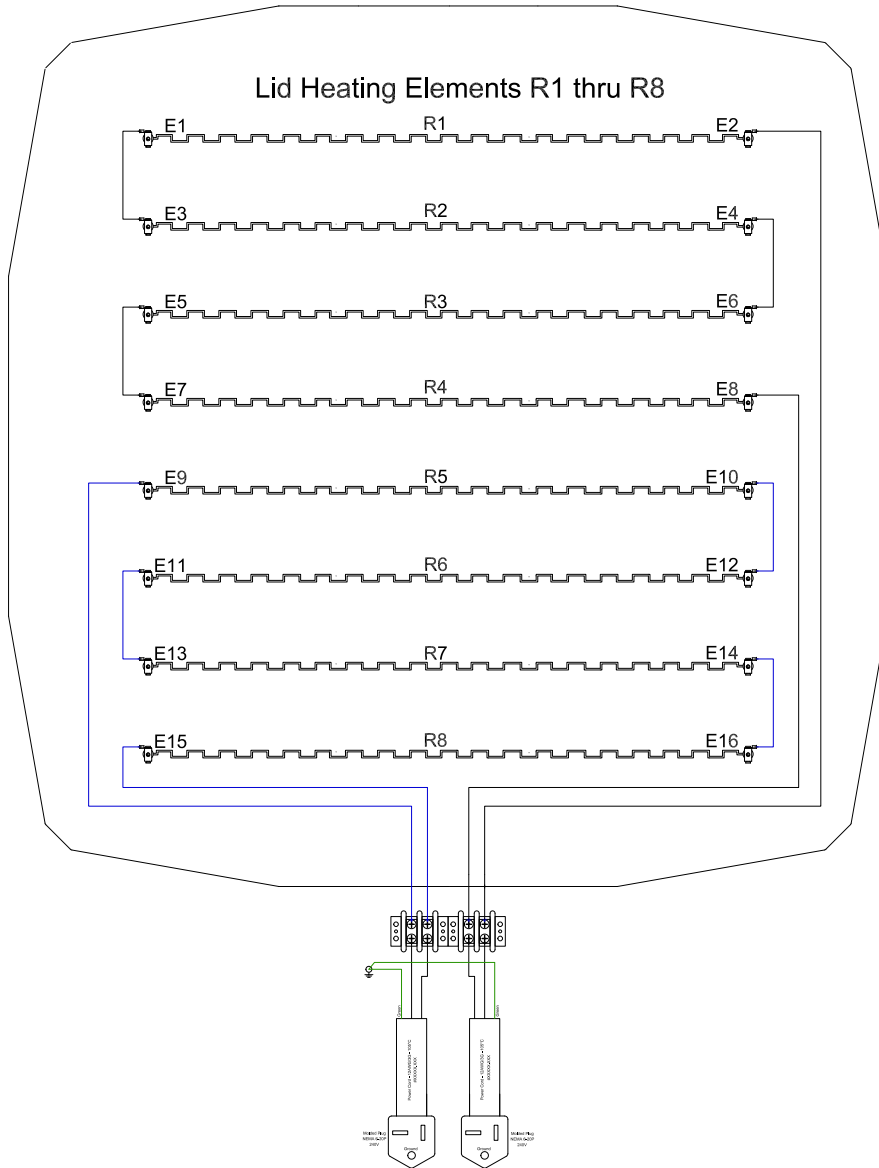
Sidewall Heating Elements R9 and R10



Studio Pro 28 - G2

HEATING ELEMENT DIAGRAM

LID FRONT - TOP VIEW



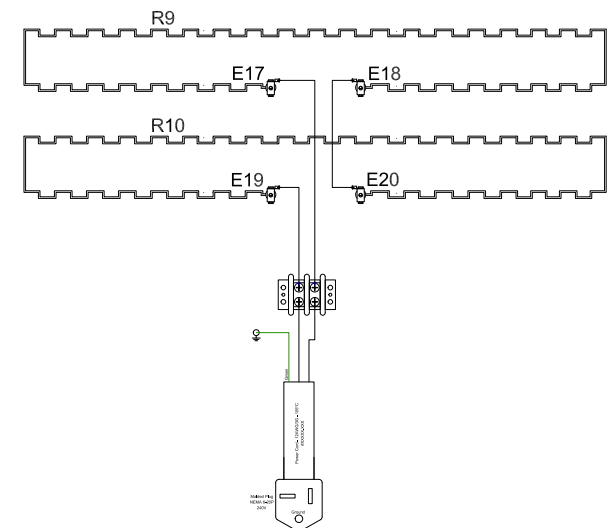
220V/230V/240V SINGLE PHASE
 220V/230V/240V 3 PHASE (DELTA)
 380V/400V/415V (3 PHASE WYE)

Lid Elements - R1 thru R8 #00107.500
 Sidewall Elements - R9 and R10 #00107.513

208V SINGLE PHASE
 208V 3 PHASE (DELTA)

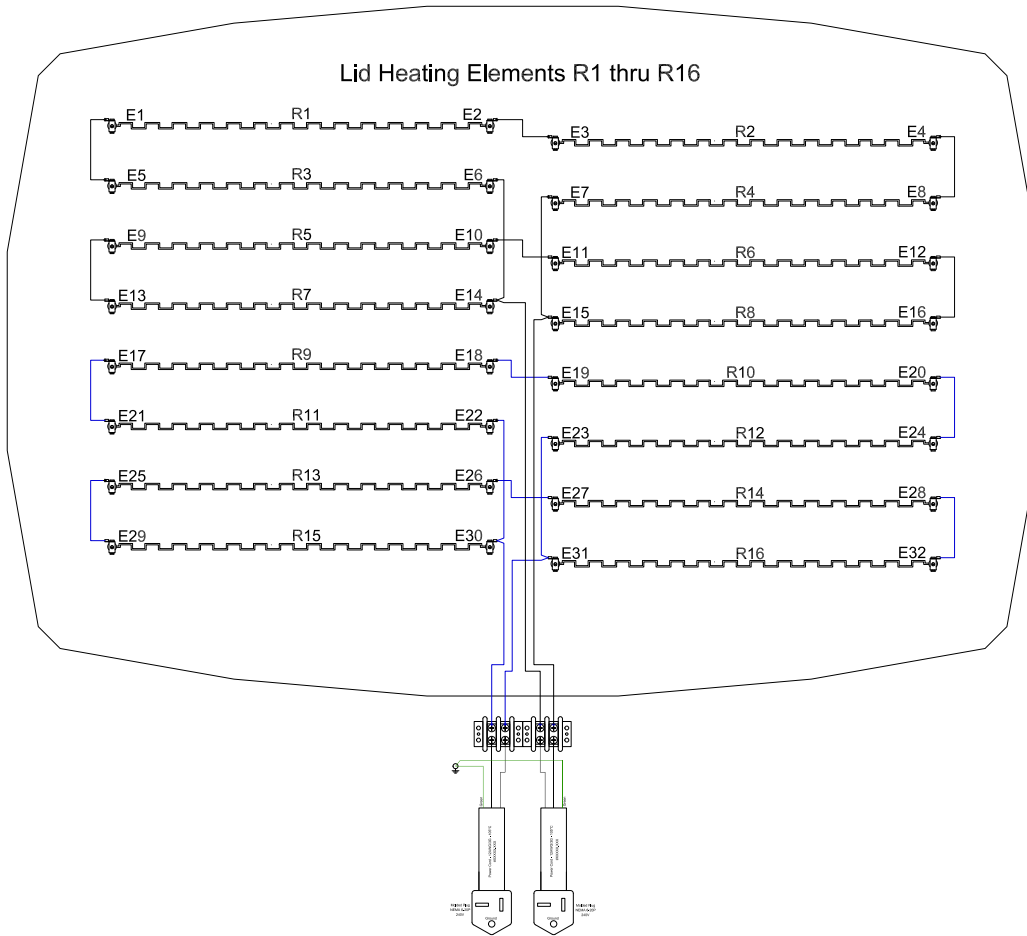
Lid Elements - R1 thru R8 #00107.515
 Sidewall Elements - R9 and R10 #00107.525

Sidewall Heating Elements R9 and R10



Studio Pro 41 - G2 HEATING ELEMENT DIAGRAM

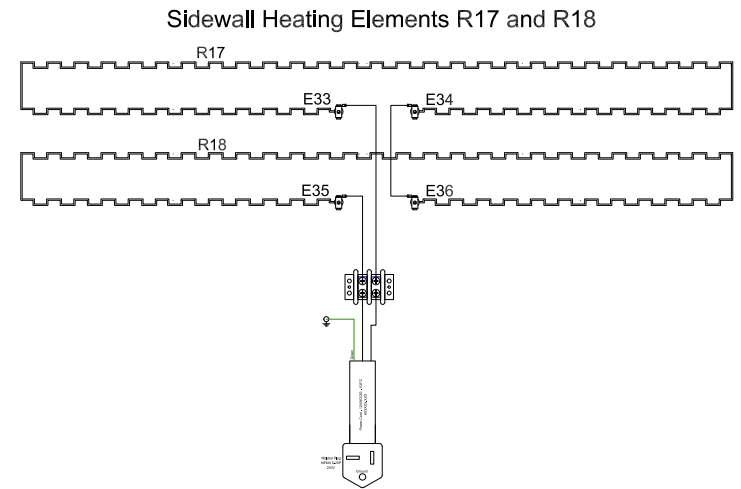
LID FRONT - TOP VIEW



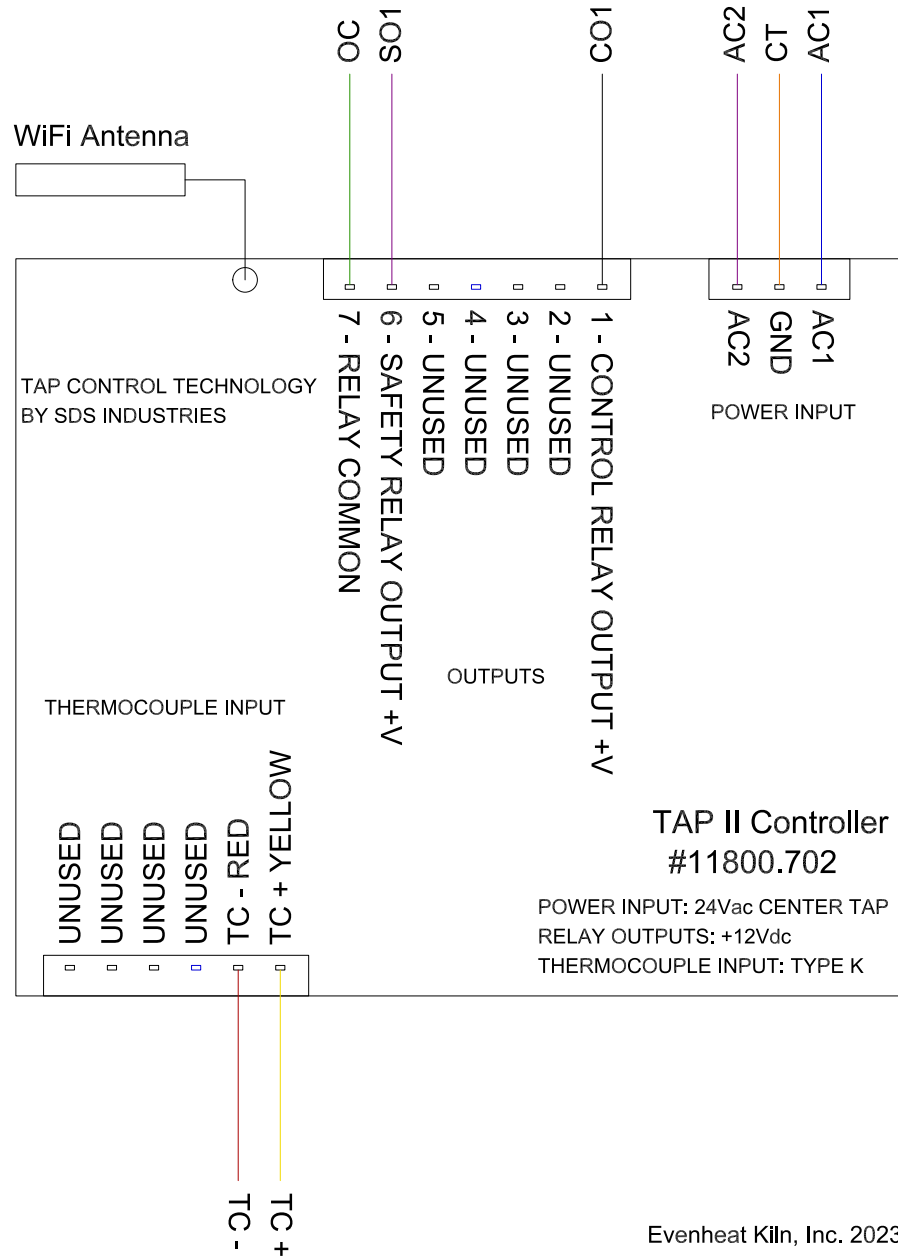
230V/240V SINGLE PHASE
 230V/240V 3 PHASE (DELTA)
 400V/415V (3 PHASE WYE)
 Lid Elements - R1 thru R16 #00108.000
 Sidewall Elements - R17 and R18 #00108.101

200V/208V SINGLE PHASE
 200V/208V 3 PHASE (DELTA)
 Lid Elements - R1 thru R16 #00108.200
 Sidewall Elements - R17 and R18 #00108.301

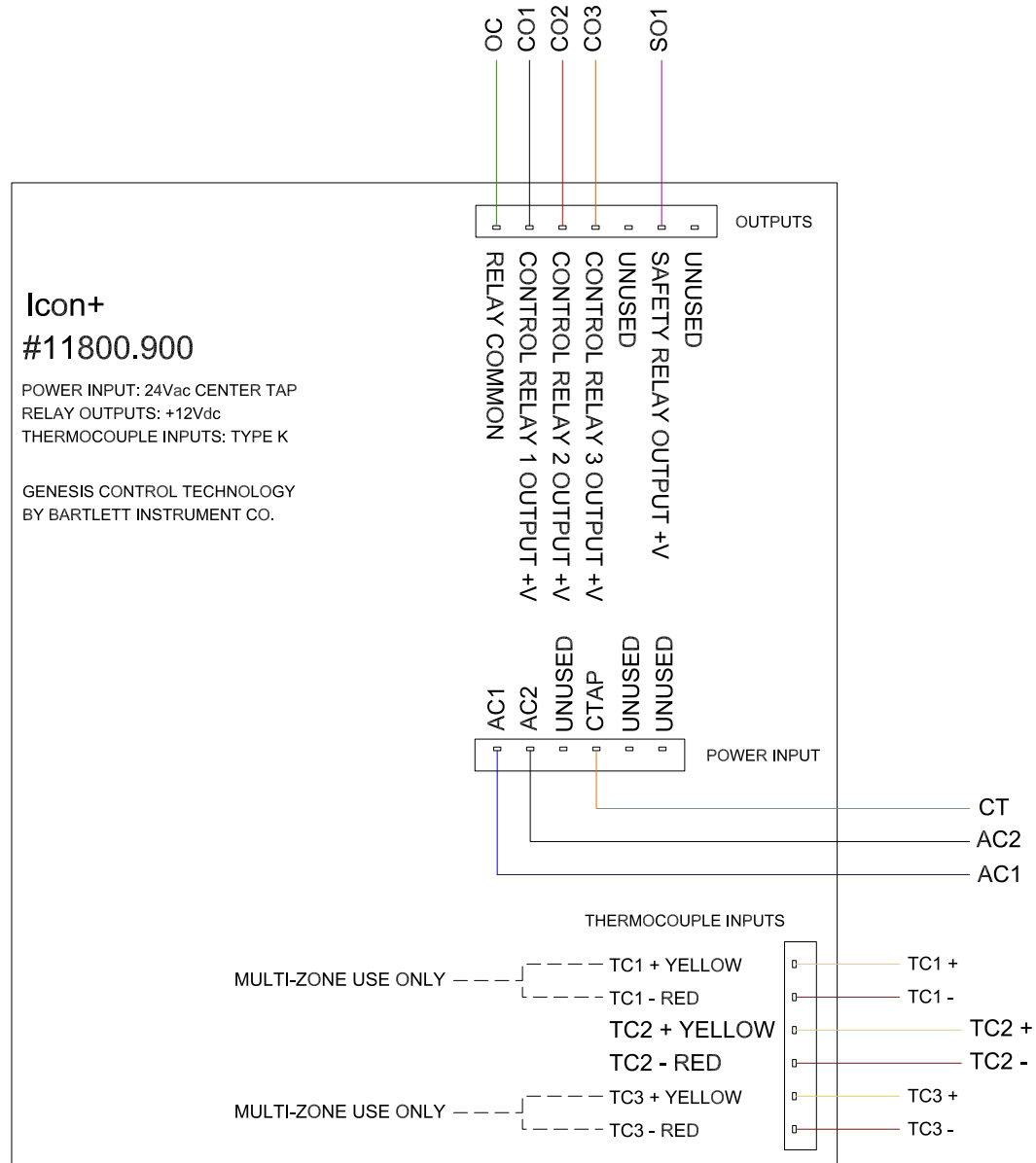
220V SINGLE PHASE
 220V 3 PHASE (DELTA)
 380V (3 PHASE WYE)
 Lid Elements - R1 thru R16 #00108.400
 Sidewall Elements - R17 and R18 #00108.410



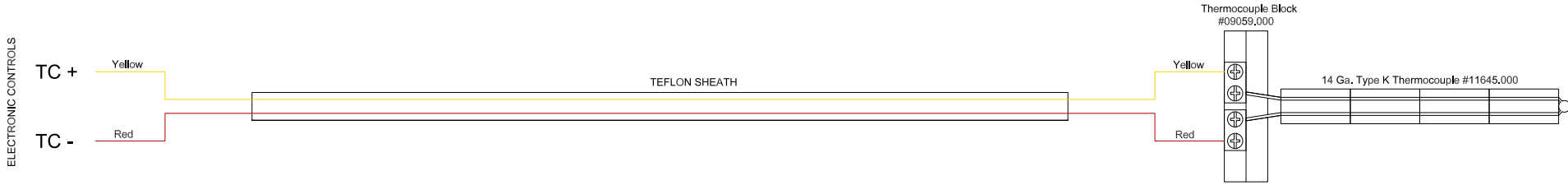
TAP II Electronic Controls



Icon+ Electronic Controls



Thermocouple Connections on TAP II Electronic Control



Thermocouple Connections on Icon+ Electronic Controls

